

# INTER-ROW CULTIVATORS



MACCHINE AGRICOLE

**BADALINI**

BADALINI S.R.L.

Strada Delmona, 1- 46017 RIVAROLO MANTOVANO  
(MANTOVA) ITALY

Tel.: (+39) 0376-99149 Fax: (+39) 0376-99641

E-MAIL: [badalini@badalini.it](mailto:badalini@badalini.it) WEB: [www.badalini.it](http://www.badalini.it)

# THE PROFESSIONAL







# ROMEIO

# ROLLING CULTIVATOR



- ⇒ GREAT RELIABILITY.
- ⇒ MANUFACTURED WITH CERTIFIED MATERIALS.
- ⇒ TESTED BY YEARS OF EXPERIENCE.
- ⇒ EACH ROLLING STAR IS MOUNTED ON DOUBLE BEARINGS WITH DUST COVER.
- ⇒ EVERY ROLLING UNIT WITH FIVE STARS IS OSCILLANT IN THE DIRECTION OF THE TRACTOR.
- ⇒ THE ROLLING UNIT WITH FIVE STARS FOLLOWS THE CONTOUR OF THE SOIL WORKING ON A PARALLELEPIPED.
- ⇒ EVERY PARALLELEPIPED CAN BE REGULATED BY AN INDEPENDENT PRESSURE SPRING.
- ⇒ THE SHAPE OF THE ROLLING STARS MAKES POSSIBLE NOT TO DAMAGE THE GERMINATED PLANTS, EVEN IF SOME OF THEM ARE STILL COME OUT OF THE SOIL.



MACCHINE AGRICOLE

**BADALINI**

**STANDARD EQUIPMENT:**

*CE Regulations equipments*

*5 stars for each unit*

*Stars on double bearings and dust cover*

*Parallelogram with adjustable pressure spring*

*Oscillant frames with central joint and lubricator*

*Parallelogram with 4 lubricators and hard metal bushings*

**WORK ON ROWS**

**FOR SOYA BEANS AND SUGAR BEETS**

N.	ROWS	MODEL	FRAME meters	WEIGHT kg
	mm			
6	450-500	<b>RHF/6</b>	3,00 fixed	410
6	450-500	<b>RHR/6</b>	FOLDING	450

**WORK ON ROWS**

**FOR MAIZE AND SUNFLOWERS**

4	600-750	<b>RHF/4-25</b>	2,50 fixed	297
6	700-750	<b>RHR/6</b>	FOLDING	470
6	700-750	<b>RHI/6</b>	HYDRAULIC	500
8	700-750	<b>RHI/8</b>	HYDRAULIC	880

**TOTAL WORK**

**FOR ALL CULTIVATIONS**

-	300-800	<b>RHF/8 (total 3 meters)</b>	3,00 fixed	530
-	300-800	<b>RHR/8 (total 3 meters)</b>	FOLDING	550
8	300-800	<b>RHI/8 (total 3 meters)</b>	HYDRAULIC	580
12	300-800	<b>RHI/12 (total 4,60 meters)</b>	HYDRAULIC	1090

**RHF/ = fixed frame**

**RHR/ = mechanical folding frame**

**RHI/ = hydraulic folding frame**



Turnover hinge with spring to facilitate the mechanical manual closing



Rolling cultivator working on maize





MACCHINE AGRICOLE

**BADALINI**

BADALINI S.R.L. STRADA DELMONA 1  
46017 RIVAROLO MANTOVANO (MN) ITALY  
TEL. (+39) 0376-99149 FAX (+39) 0376-99641  
E-MAIL: badalini@badalini.it  
WEB: www.badalini.it

## INTER-ROW CULTIVATOR WITH VIBRANT TINES

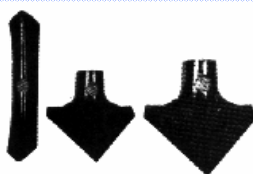
# MAIA

*INTER-ROW CULTIVATORS  
BADALINI ARE VERY HIGH  
AND THEY ALLOW TO WORK  
IN MAIZE FOR TWO TIMES OR  
THEY PERMIT TO ENTER IN  
HIGH CULTIVATIONS SUCH  
AS ROSES AND ARTICHOKE.  
THE PARTICULAR PRESSURE  
SPRING KEEPS THE MACHINE  
ON SOIL AND ALLOWS THE  
PENETRATION WITHOUT  
PROBLEMS ALSO IN HARD  
SITUATIONS.*

*MOREOVER, THANKS TO THE  
EXCEPTIONAL STABILITY OF  
THE MACHINE, THE SPEED  
CAN BE INCREASED WITH  
REDUCTION OF THE  
WORKING COSTS.*



WHEEL FOR DEPTH  
REGULATION WITH  
BEARINGS AND SCRAPER



ON THE LEFT:  
MACHINE FOR WORK  
ON MAIZE OR  
SUNFLOWERS WITH  
HYDRAULIC  
FOLDING FRAME TO  
2,45 METERS



CULTIVATOR FOR WORK ON MAIZE WITH FERTILIZER  
DISTRIBUTOR



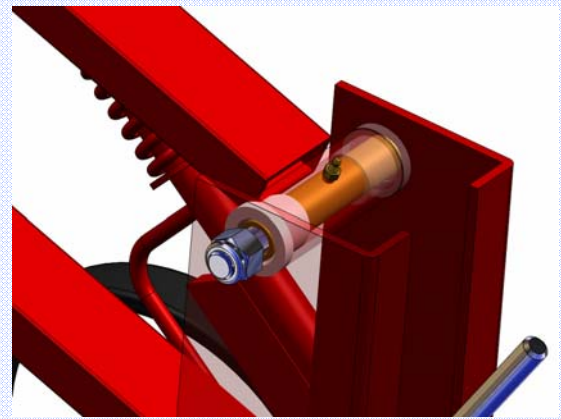
INTER-ROW CULTIVATOR WITH HYDRAULIC  
FOLDING FRAME

# HIGH-EFFICIENCY MACHINES FOR A MODERN AGRICULTURE

## INTER-ROW CULTIVATOR



ALL THE MODELS ARE PROVIDED WITH INDEPENDENT PARALLELOGRAM. EVERY SINGLE ARTICULATED JOINT IS BUSHED WITH DOUBLE BUSHING IN NYLON AND HARD METAL BUSHING. MOREOVER A LUBRICATOR WITH CHAMBER AND RESERVE IS MOUNTED ON EVERY JOINT.



PARALLELOGRAM WITH BUSHING AND LUBRICATOR ON EVERY ARTICULATED JOINT

## EASY REGULATION

IMPORTANT PECULIARITY OF THE MACHINE IS THE DEPTH REGULATION BY A HANDLE. THE REAL MEASURE IS SHOWN BY A PARTICULAR INDICATOR WHICH PERMITS THE MICROMETRIC SIGHT OF THE WORKING DEPTH.



STANDARD EQUIPMENT

- EC safety guards*
- Duck foot sweeps*
- Plant oscillant protections with ribs (optional)*
- Wheels with double bearings and dust cover*
- Wheels with handle on each weeding unit*
- Parallelogram with adjustable pressure springs*
- Parallelogram with 4 lubricators and hard metal bushings*

# MAIA

**FOR SOYA BEAN, SUGAR BEET, ETC.**

**MOD. (ST) FOR ROWS WIDTH FROM mm 450 TO mm 600**

**WITH 3 SPRINGS ON CENTRAL UNITS AND 2 ON SIDE UNITS (WORKING WIDTH 250/350 mm)**

N.	ROWS	MODEL	FRAME meters	WEIGHT
	mm			kg
4	450-500	SHF/5ST-M (3+2)	2,40 fixed	350
5	450-500	SHF/6ST-M (4+2)	3,00 fixed	430
5	450-500	SHR/6ST-M (4+2)	FOLDING	440
6	450-500	SHF/7ST-M (5+2)	300/3,30 fixed	480
6	450-500	SHR/7ST-M (5+2)	FOLDING	490
8	450-500	SHF/9ST-M (7+2)	4,00 fixed	540
8	450-500	SHI/9ST-M (7+2)	HYDRAULIC	560
12	450-500	SHI/13ST-M (11+2)	HYDRAULIC	1195

**FOR MAIZE, SUNFLOWER, TOBACCO, ETC.**

**MOD. (L) FOR ROWS WIDTH FROM mm 700 TO mm 800**

**WITH 5 SPRINGS ON CENTRAL UNITS AND 3 ON SIDE UNITS (WORKING WIDTH 450/550 mm)**

N.	ROWS	MODEL	FRAME meters	WEIGHT
	mm			kg
-	600-800	SHF/3L-M	2,40 fixed	320
4	700-800	SHF/5L-M (3+2)	3,00/3,30 fixed	420
4	700-800	SHR/5L-M (3+2)	FOLDING	440
4	700-800	SHI/5L-M (3+2)	HYDRAULIC	470
6	700-750	SHF/7L-M (5+2)	5,00 fixed	600
6	700-750	SHI/7L-M (5+2)	HYDRAULIC	640
8	700-750	SHI/9L-M (7+2)	HYDRAULIC	995
12	700-750	SHI/13L-M (11+2)	HYDRAULIC	1500

**FOR TOBACCO, TOMATOES, ETC.**

**MOD. (SL) FOR ROWS WIDTH FROM mm 900 TO mm 1500**

**WITH 7 SPRINGS ON CENTRAL UNITS AND 5 ON SIDE UNITS (WORKING WIDTH 650/750 mm)**

N.	ROWS	MODEL	FRAME meters	WEIGHT
	mm			kg
2	400-550	SHF/3SL-M (1+2)	2,40 fixed	300
4	700-800	SHF/4SL-M (2+2)	4,50 fixed	430
4	700-800	SHR/4SL-M (2+2)	FOLDING	450

SHF/ = fixed frame

SHR/ = mechanical folding frame

SHI/ = hydraulic folding frame



On the left:  
INTER-ROW CULTIVATOR FOR MAIZE IN 6 ROWS WITH WIDTH OF 75 cm AND HYDRAULIC FOLDING FRAME. MODEL SHI/7L-M WITH PROTECTIONS SHIELDS AND 5 BLADES FOR EACH WEEDING UNIT.



# DIANA

CULTIVATOR for  
TOMATOES and  
SUGAR BEETS



THE GREAT ACCURACY WE USED IN PRODUCING WEEDER PERMITS THE MACHINE TO WORK VERY CLOSE TO THE PLANT IN ORDER TO ELIMINATE THE HAND-HOEING BETWEEN THE LITTLE PLANTS. THE REGULATION OF THE WORKING DEPTH IS MADE WITH GREAT EASINESS. THE SLIDEWAYS ARE MILLED AND AND THE BOLTS OF FLASKS ARE SHROUDED INTO THE SUPPORT IN ORDER TO AVOID THAT YOU HAVE TO STOP THE SCREW WITH TWO SPANNERS TO TIGHTEN THE NUTS.



BADALINI S.R.L.  
Head Office and Factory: STRADA DELMONA 1  
46017 RIVAROLO MANTOVANO (MN) ITALY  
TEL. +39-0376-99149 r.a. FAX +39-0376-99641  
E-MAIL: badalini@badalini.it WEB: www.badalini.it



**BUSHED PRECISION STEERING UNIT AND WHEELS ON BEARINGS**

CULTIVATOR FOR 3 ROWS OF TOMATOES WITH STEERING UNIT AND TRUCK FOR TRANSPORT  
MOD. SHF/9(3ST+6L)-D + STEERING UNIT + JOLLY



**MILLIMETRIC  
REGULATION OF  
WORKING DEPTH**



CULTIVATOR FOR 3 ROWS OF TOMATOES WITH HYDRAULIC FOLDING FRAME  
MOD. SHI/6L-D + BACK COMBS



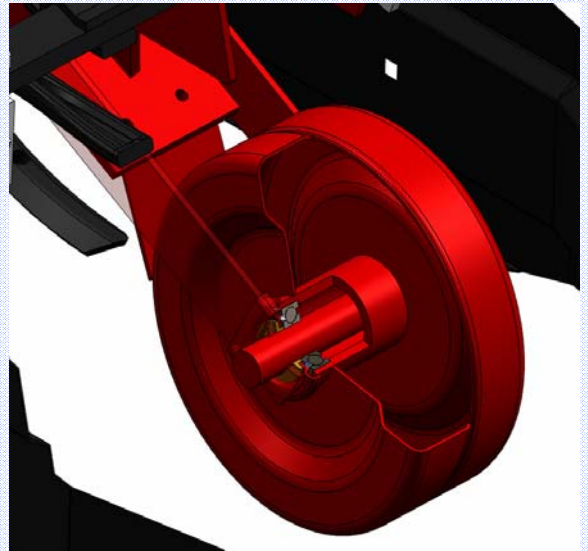


# HIGH-EFFICIENCY MACHINES FOR A MODERN AGRICULTURE

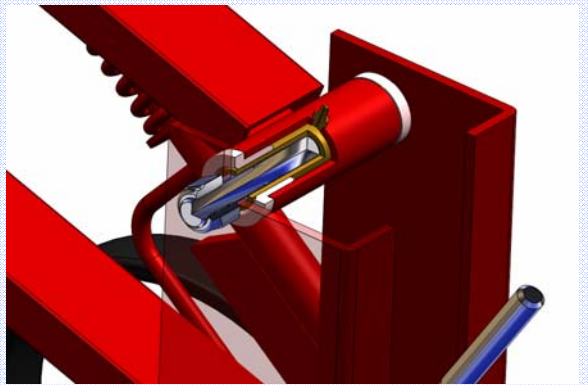
## EASY REGULATION



IMPORTANT PECULIARITY OF THE MACHINE IS THE DEPTH REGULATION BY A HANDLE. THE REAL MEASURE IS SHOWN BY A PARTICULAR INDICATOR WHICH PERMITS THE MICROMETRIC SIGHT OF THE WORKING DEPTH.



ALL THE MODELS ARE PROVIDED WITH INDEPENDENT PARALLELOGRAM. EVERY SINGLE ARTICULATED JOINT IS BUSHED WITH DOUBLE BUSHING IN NYLON AND HARD METAL BUSHING. MOREOVER A LUBRICATOR WITH CHAMBER AND RESERVE IS MOUNTED ON EVERY JOINT.



CULTIVATOR FOR 5 ROWS OF TOMATOES WITH WIDTH OF 150 cm AND HYDRAULIC ROAD CLOSING TO 2,50 METERS. MODEL **SHI/10L-D** WITH HYDRAULIC STEERING UNIT AND BACK COMBS.



CULTIVATOR mod. SHI/6L-D WORKING ON TOMATOES

### STANDARD EQUIPMENT:

- EC safety guards*
- Wheels with double bearings and dust cover*
- Adjustable flasks in micrometric width*
- Wheels with handle on each weeding unit*
- Parallelogram with adjustable pressure springs*
- Parallelogram with 4 lubricators and hard metal bushings*

# DIANA

### FOR SOYA BEAN AND SUGAR BEETS

MOD. (ST) FOR ROWS WIDTH FROM mm 450 TO mm 500

WITH 2 DISCS AND 3 BLADES ON EACH UNIT (WORKING WIDTH 250/350 mm)

N.	ROWS mm	MODEL	FRAME meters	WEIGHT kg
4	450-500	SHF/5ST-D (3+2)	2,40 fixed	360
5	450-500	SHF/6ST-D (4+2)	3,00 fixed	450
5	450-500	SHR/6ST-D (4+2)	FOLDING	460
6	450-500	SHF/7ST-D (5+2)	3,00/3,30 fixed	500
6	450-500	SHR/7ST-D (5+2)	FOLDING	510
8	450-500	SHF/9ST-D (7+2)	4,00 fixed	560
8	450-500	SHR/9ST-D (7+2)	FOLDING	570
8	450-500	SHI/9ST-D (7+2)	HYDRAULIC	590
12	450-500	SHI/13ST-D (11+2)	HYDRAULIC	1020

### FOR TOMATOES

MOD. (L) FOR ROWS WIDTH FROM mm 1300 TO mm 1600

WITH 1 DISC AND 4 BLADES ON EACH UNIT (WORKING WIDTH 450/650 mm each unit)

N.	ROWS mm	MODEL	FRAME meters	WEIGHT kg
1	1300-1600	SHF/2L-D	2,00	180
3	1300-1600	SHI/6L-D	HYDRAULIC	520
3	1300-1600	SHI/4SL-D (2+2)	HYDRAULIC	480
5	1300-1600	SHI/10L-D	HYDRAULIC	990

### FOR MAIZE, SUNFLOWER, ETC.

MOD. (L) FOR ROWS WIDTH FROM mm 700 TO mm 800

WITH 2 DISCS AND 3 BLADES FOR EACH UNIT (WORKING WIDTH 450/550 mm)

N.	ROWS mm	MODEL	FRAME meters	WEIGHT kg
-	700-800	SHF/3L-D	2,40 fixed	280
4	700-800	SHR/5L-D (3+2)	FOLDING	380
6	700-750	SHI/7L-D (5+2)	HYDRAULIC	530

SHF/ = fixed frame

SHR/ = mechanical folding frame

SHI/ = hydraulic folding frame





MACCHINE AGRICOLE  
**BADALINI**





# TROLL CMS/

**THE IDEAL MACHINE FOR  
DRAINAGE IN TOMATOES  
AND VINEYARD**



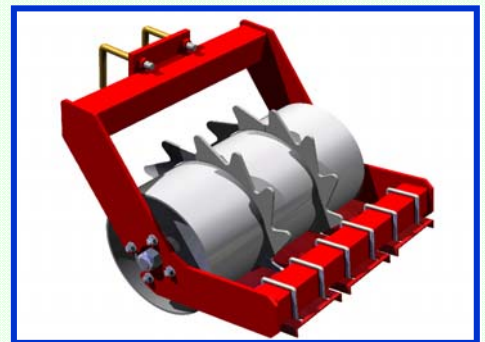


MACCHINE AGRICOLE

**BADALINI**



**CMS/**



# FERTILIZER DISTRIBUTOR

# PEGASUS

**SPX/**

**WITH CAPACITY OF LITRES 930 - 1240 - 2500**

**BADALINI**

**FERTILIZER DISTRIBUTOR**

LINEAR FERTILIZER DISTRIBUTOR COMPLETELY IN STAINLESS STEEL, SUITABLE FOR ALL WORK CONDITIONS AND IN ALL CULTIVATIONS.

- HIGH PRECISION
- FERTILIZER SAVE
- VERSATILITY OF EMPLOYMENT

THE MODELS SPX/1400 AND SPX/2000 CAN DISTRIBUTE ORGANIC FERTILIZERS, POULTRY MANURE AND GUANO.

HIGH LOADING CAPACITY: THE HOPPER IS AVAILABLE WITH CAPACITY FROM 340 TO 2.500 LITRES; THIS ASSURES A PROLONGED WORKING AUTONOMY AND REDUCED LOADING TIMES.

HIGH WORKING SPEED: UNTIL 15 KM/HOUR.



THE DISTANCE BETWEEN THE LOCALIZATION PIPES CAN BE REGULATED ACCORDING TO THE DISTANCE USED FOR THE DIFFERENT CROPS.

IT IS POSSIBLE TO WORK ON ANY SOWING DISTANCE, SIMPLY ADDING ONE OR MORE PIPES.

THE REGULATION OF THE SPILLAGE OF FERTILIZER HAPPENS THROUGH A HYDRAULIC CYLINDER ENDOWED WITH LOCKING SCREW. THE SCREW WITH MICROMETRIC REGULATION ALLOWS A CONSTANT SPILLAGE OF MATERIAL. MOREOVER THE CYLINDER ALLOWS TO STOP THE SPILLAGE OF FERTILIZER AT THE END OF THE ROW, AVOIDING DISTRIBUTION IN HEADLANDS AND WHERE IT IS NOT NECESSARY.



STANDARD EQUIPMENT:

CE Regulations equipments, cardan shaft, tarpaulin

Bolts in stainless steel

Fertilizer distributor in stainless steel

Possibility to use every type of fertilizer

Possibility to use with every rows width

Adjustable linkage in height

Adjustable slide bars

Hydraulic and micrometric regulation

Great productivity capacity at high speeds (10/20 quintals pro hectar)

Possibility to use "POULTRY MANURE" fertilizer (10/20 quintals pro hectar)

**HYDRAULIC JACK FOR CLOSING OF FERTILIZER**

# PEGASUS

## ONE FERTILIZER HOPPER with FEET

FOR MAIZE, SUNFLOWER, SOYA BEANS, SUGAR BEETS AND TOMATOES

MODEL	FRAME meters	LITRES	N. of fall pipes MOUNTED	N. of fall pipes MAXIMUM	WEIGHT kg
SPX/300x4	2,20 fixed	<b>340</b>	<b>4</b>	<b>12</b>	250
SPX/900x4	2,50 fixed	<b>930</b>	<b>4</b>	<b>8</b>	280

## ONE FERTILIZER HOPPER with WHEELS

FOR MAIZE, SUNFLOWER, SOYA BEANS, SUGAR BEETS AND TOMATOES

MODEL	FRAME meters	LITRES	N. of fall pipes MOUNTED	N. of fall pipes MAXIMUM	WEIGHT kg
SPX/900x6	2,50 fixed	<b>930</b>	<b>6</b>	<b>8</b>	445
SPX/1400x6	3,10 fixed	<b>1240</b>	<b>6</b>	<b>12</b>	470
SPX/2000x6	3,10 fixed	<b>2500</b>	<b>6</b>	<b>12</b>	600

## DOUBLE FERTILIZER HOPPER with WHEELS

FOR TOMATOES and VEGETABLES

MODEL	FRAME meters	LITRES	N. of fall pipes MOUNTED	N. of fall pipes MAXIMUM	WEIGHT kg
SPX/1800x8+8	2,50 fixed	<b>930+930</b>	<b>8</b>	<b>16</b>	1600
SPX/2800x12+12	4,50/3,50	<b>1240+1240</b>	<b>12</b>	<b>24</b>	2000

### OPTIONAL ON REQUEST

- COUPLE OF HYDRAULIC MARKERS
- JOLLY TRAILER FOR ROAD TRANSPORT
- SET TO LAY UNDERGROUND FERTILIZER
- BACK COMBS



COUPLE OF HYDRAULIC MARKERS



JOLLY TRAILER



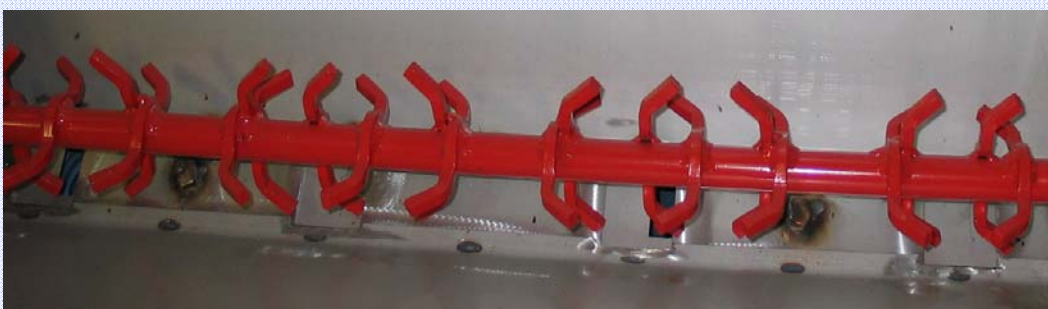
BACK COMBS



SET TO LAY UNDERGROUND FERTILIZER







MACCHINE AGRICOLE  
**BADALINI**

***TO SPREAD  
WITH REGULARITY***

***TO SPREAD  
WITH SIMPLICITY***



***TO SPREAD  
WITH FACILITY  
IS OUR  
SPECIALITY***





BADALINI S.R.L.

Registered Office: Strada Delmona 1 - 46017 RIVAROLO MANTOVANO (Mn) - ITALY

Authorized Capital: Euro 30.000,00 i.v.

TEL. (+39) 0376/99149 FAX (+39) 0376/99641

Vat Number IT 02118990205

badalini@badalini.it

[www.badalini.it](http://www.badalini.it)