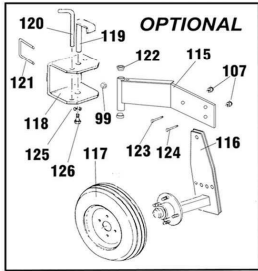
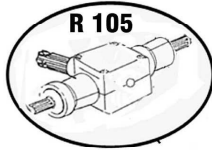
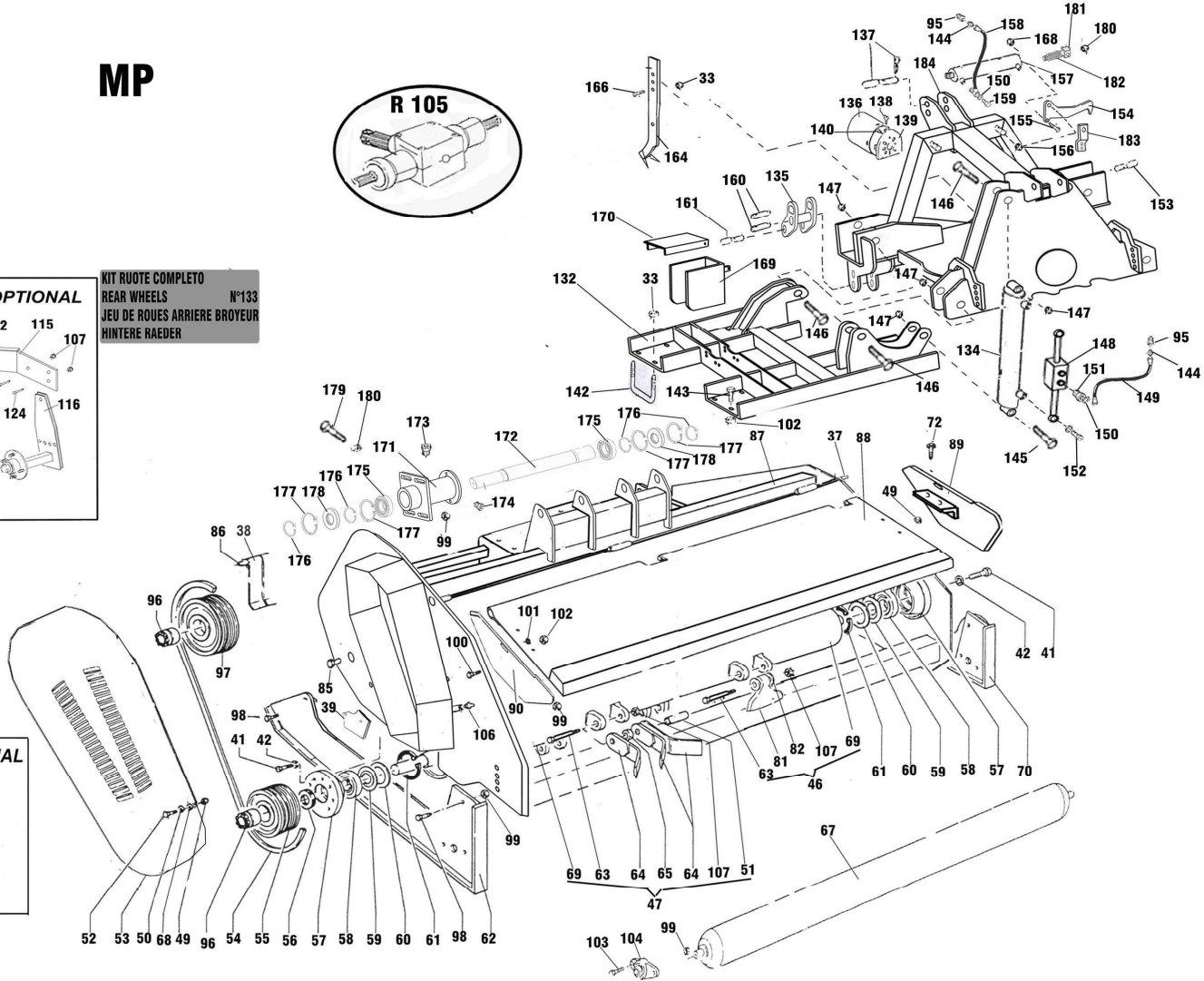
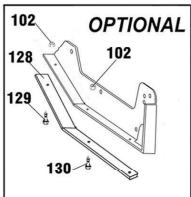
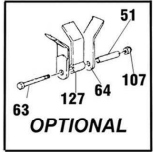


# MP



**KIT RUOTE COMPLETO**  
**REAR WHEELS** N°133  
**JEU DE ROUES ARRIERE BROYEUR**  
**HINTERE RAEDER**



POS.	COD.	DESCRIZIONE	DESIGNATION	DESCRIPTION	BEZEICHNUNG
33	A41416Z	DADO AUTOBLALTO M14x1,5 CL.8 DIN 982 CON ZINCATURA	ECROU AUT. M14x1,5 GALVANISE	GALVANISED LOCKNUT M14x1,5	STOP-MUTTER
34	V41620Z	VITE TE M16x100x1,5 8.8 TOT.FILL. UNI 5740 CON ZINCATURA	VIS	SCREW	SCHRAUBE
35	D41608Z	DADO BASSO M16x1,5 CL.8 UNI 5589 CON ZINCATURA	ECROU M16x1,5 GALVANISE	LOCKNUT	MUTTER
36	D41616Z	DADO ALTO M16x1,5 CL.8 UNI 5587 CON ZINCATURA	ECROU M16x1,5 GALVANISE	GALVANISED NUT M16x1,5	MUTTER
37	450327	PERNO COFANO POSTERIORE MX-MT.200	BARRE DU TABLIER ARR. MX-MT.200	ROD MX-MT.200	BODENKLAPPENSTANGE MX-MT.200
	450328	PERNO COFANO POSTERIORE MX-MT.220	BARRE DU TABLIER ARR. MX-MT.220	ROD MX-MT.220	BODENKLAPPENSTANGE MX-MT.220
	450329	PERNO COFANO POSTERIORE MX-MT.240	BARRE DU TABLIER ARR. MX-MT.240	ROD MX-MT.240	BODENKLAPPENSTANGE MX-MT.240
	450330	PERNO COFANO POSTERIORE MX-MT.260	BARRE DU TABLIER ARR. MX-MT.260	ROD MX-MT.260	BODENKLAPPENSTANGE MX-MT.260
	450337	PERNO COFANO POSTERIORE MX-MT.280	BARRE DU TABLIER ARR. MX-MT.280	ROD MX-MT.280	BODENKLAPPENSTANGE MX-MT.280
	450338	PERNO COFANO POSTERIORE MX-MT.300	BARRE DU TABLIER ARR. MX-MT.300	ROD MX-MT.300	BODENKLAPPENSTANGE MX-MT.300
	450362	PERNO COFANO POSTERIORE MX-MT.320	BARRE DU TABLIER ARR. MX-MT.320	ROD MX-MT.320	BODENKLAPPENSTANGE MX-MT.320
38	450215	PARASASSI AT-PT-UT-MT-ST	PROTECTION AT-PT-UT-MT-ST	STONE GUARD AT-PT-UT-MT-ST	SCHUTZBLECH AT-PT-UT-MT-ST
39	450216	PROTEZIONE PULEGGIA TRINCIA	PROTECTION POULIE	PULLEY GUARD	SCHUTZRRIEMENSCHIEBE
41	V41406Z	VITE TE M14x30x1,5 8.8 TOT.FILL. UNI 5740 CON ZINCATURA	VIS 14x30x1,5 GALVANISE	SCREW 14x30x1,5 GALVANIZED	ZINK-SCHRAUBE 14x30x1,5
42	091424Z	ROSETTA ELASTICA 14x24x3 UNI 1751 CON ZINCATURA	RONDELLE	WASHER	SCHIEBE
44	450720	RONDELLA	RONDELLE	WASHER	SCHIEBE
45	550712	ATTACCO OSCILLANTE TERZO PUNTO	ATTELAGE FLOTTANT	FLOATING TOP LINK	FESTSTELBARE OBERLENKERANHAENGUNG
46	56RZ13	ROTORE MX-MT.200 CON MAZZE	ROTOR MX-MT200 MARTEAUX	ROTOR MX-MT200 WITH HAMMERS	MX-MT200 ROTORWELLE MIT SCHLEGELHAEMMER
	56RZ14	ROTORE MX-MT.220 CON MAZZE	ROTOR MX-MT220 MARTEAUX	ROTOR MX-MT220 WITH HAMMERS	MX-MT220 ROTORWELLE MIT SCHLEGELHAEMMER
	56RZ15	ROTORE MX-MT.240 CON MAZZE	ROTOR MX-MT240 MARTEAUX	ROTOR MX-MT240 WITH HAMMERS	MX-MT240 ROTORWELLE MIT SCHLEGELHAEMMER
	56RZ16	ROTORE MX-MT.260 CON MAZZE	ROTOR MX-MT260 MARTEAUX	ROTOR MX-MT260 WITH HAMMERS	MX-MT260 ROTORWELLE MIT SCHLEGELHAEMMER
	56RZ17	ROTORE MX-MT.280 CON MAZZE	ROTOR MX-MT280 MARTEAUX	ROTOR MX-MT280 WITH HAMMERS	MX-MT280 ROTORWELLE MIT SCHLEGELMESSER
	56RZ18	ROTORE MX-MT.300 CON MAZZE	ROTOR MX-MT300 MARTEAUX	ROTOR MX-MT300 WITH HAMMERS	MX-MT300 ROTORWELLE MIT SCHLEGELHAEMMER
	56RZ19	ROTORE MX-MT.320 CON MAZZE	ROTOR MX-MT320 MARTEAUX	ROTOR MX-MT320 WITH HAMMERS	MX-MT320 ROTORWELLE MIT SCHLEGELHAEMMER
47	56RW13	ROTORE MX-MT.200 CON COLTELLI	ROTOR MX-MT200 COUTEAUX	ROTOR MX-MT200 WITH FLAITS	MX-MT200 ROTORWELLE MIT SCHLEGELMESSER
	56RW14	ROTORE MX-MT.220 CON COLTELLI	ROTOR MX-MT220 COUTEAUX	ROTOR MX-MT220 WITH FLAITS	MX-MT220 ROTORWELLE MIT SCHLEGELMESSER
	56RW15	ROTORE MX-MT.240 CON COLTELLI	ROTOR MX-MT240 COUTEAUX	ROTOR MX-MT240 WITH FLAITS	MX-MT240 ROTORWELLE MIT SCHLEGELMESSER
	56RW16	ROTORE MX-MT.260 CON COLTELLI	ROTOR MX-MT260 COUTEAUX	ROTOR MX-MT260 WITH FLAITS	MX-MT260 ROTORWELLE MIT SCHLEGELMESSER
	56RW17	ROTORE MX-MT.280 CON COLTELLI	ROTOR MX-MT280 COUTEAUX	ROTOR MX-MT280 WITH FLAITS	MX-MT280 ROTORWELLE MIT SCHLEGELMESSER
	56RW18	ROTORE MX-MT.300 CON COLTELLI	ROTOR MX-MT300 COUTEAUX	ROTOR MX-MT300 WITH FLAITS	MX-MT300 ROTORWELLE MIT SCHLEGELMESSER
	56RW19	ROTORE MX-MT.320 CON COLTELLI	ROTOR MX-MT320 COUTEAUX	ROTOR MX-MT320 WITH FLAITS	MX-MT320 ROTORWELLE MIT SCHLEGELMESSER
48	550713	TUBO GUIDA MX/MT.200-220	TUBE ATTelage 3 POINTS MX/MT.200-220	FRONT SIDE SHIFT TUBE MX/MT.200/220	MX/MT.200-220 LENKROHR
	550714	TUBO GUIDA MX/MT.240-260-280-300-320	TUBE ATTelage 3 POINTS MX/MT.240-260-280-300-320	FRONT SIDE SHIFT TUBE MX/MT.240-260-280-300-320	MX/MT.240-260-280-300-320 LENKROHR
49	A51012Z	DADO AUTOBLALTO M10 P.G. CL.8 DIN 982 CON ZINCATURA	ECROU AUT. M10 GALVANISE	GALVANISED LOCKNUT M10	MUTTER, SELBST.
50	181030Z	ROSETTA LARGA 10,5x30x2,5 UNI 6593 CON ZINCATURA	RONDELLE GALVANISEE	GALVANIZED WASHER	ZINK-SCHIEBE
51	450305	BOCCOLA COLTELLO MT	DOUILLE	BUSH	BUECHSE
52	V51006Z	VITE TE M10x30 P.G. 8.8 TOT.FILL. UNI 5739 CON	VIS 10x30 GALVANISE	SCREW 10x30 GALVANIZED	ZINK-SCHRAUBE 10x30
53	860203	COPERCHIO PULEGGIA TRINCIA PIEGHEVOLE	CARTER	COVER	RIEMENDECKEL
54	15B650	CINGHIA TRAPEZOIDALE SPBX 1650	COURROIE SPBX 1650	BELT SPBX 1650	RIEMEN SPBX 1650
55	4B2180	PULEGGIA GOLA 4XTIPO B Dp212- Di 80	POULIE	PULLEY	RIEMENSCHIEBE
56	105580	ANELLO DI TENUTA 558010	JOINT D'ETANCHEITE 558010	OIL SEAL 558010	O-DICHRING 558010
57	450400	SUPPORTO ALBERO TRINCIA	PALIER	SUPPORT	HALTEPLATTE
58	001311	CUSCINETTO 1311	ROULEMENT 1311	BEARING 1311	LAGER 1311
59	450221	RONDELLA PARAGRASSO (NILOS 6311 JV)	RONDELLE	SEAL PLATE	SCHIEBE
60	450222	SPESSORE PARAGRASSO TRINCIA	RONDELLE	PLATE	SCHIEBE
61	141120	ANELLO DI SICUREZZA FORO D.120 UNI 7437	BAGUE D'ARRET	CIRCLIP	SEEGERRING
62	450248	PATTINO DS MX/KT/MT/TT	PATIN DROITE LT/GT/KT/MT/TT	SKID RH MX/KT/MT/TT	SCHLEIFKUFU, R. LT/GT/KT/MT/TT
63	V01622	VITE TE M16x110x1,5 10.9 PARZ.FILL. UNI 5738	VIS	SCREW	SCHRAUBE
64	450414	COLTELLO UNIVERSALE UT/TT/MT/KT	COUTEAU A Y TT/UT/MT (NOUVEAU MOD)	UNIVERSAL BLADE TT/UT/MT (NEW MOD)	UNIVERSALMESSER TT/UT/MT (NEUES MOD)
65	450332	DISTANZIALE COLTELLO MT	ENTRETOISE	SPACER	ABSTANDSSTUECK
66	V62440Z	VITE TE M24x200x2 8.8 PARZ.FILL. UNI 5738 CON ZINCATURA	VIS	SCREW	SCHRAUBE
67	456700	RULLO POST. KT 200	ROULEAU ARRIERE LT/GT/MT/KT/ST 200	REAR ROLLER LT/GT/MT/KT/ST 200	STUETZWALZE LT/GT/MT/KT/ST 200

	456800	RULLO POST. KT 220	ROULEAU ARRIERE LT/MT/KT/ST 220	REAR ROLLER LT/MT/KT/ST 220	STUETZWALZE LT/MT/KT/ST 220
	456900	RULLO POST. KT 240	ROULEAU ARRIERE MT/KT/ST 240	REAR ROLLER MT/KT/ST 240	STUETZWALZE MT/KT/ST 240
	457000	RULLO POST. KT 260	ROULEAU ARRIERE MT/KT/ST 260	REAR ROLLER MT/KT/ST 260	STUETZWALZE MT/KT/ST 260
	457100	RULLO POST. KT 280	ROULEAU ARRIERE MT/KT/ST 280	REAR ROLLER MT/KT/ST 280	STUETZWALZE MT/KT/ST 280
	457200	RULLO POST. KT 300	ROULEAU ARRIERE MT/KT/ST 300	REAR ROLLER MT/KT/ST 300	STUETZWALZE MT/KT/ST 300
	457400	RULLO POST. KT.320	ROULEAU ARRIERE KT.320	REAR ROLLER KT.320	STUETZWALZE KT.320
68	181021Z	ROSETTA PIANA 10,5x21x2 UNI 6592 CON ZINCATURA	RONDELLE GALVANISEE	GALVANIZED W ASHER	ZINK-SCHEIBE
70	450249	PATTINO SN MX/KT/MT/TT	PATIN GAUCHE LT/GT/KT/MT/TT	SKID LH MX/KT/MT/TT	SCHLEIFKUFE, L. LT/GT/KT/MT/TT
71	A42428Z	DADO AUTOBLALTO M24x2 CL.8 DIN 982 CON ZINCATURA	ECROU AUT. M24x2 GALVANISE	GALVANISED LOCKNUT M24x2	STOP-MUTTER
72	061002Z	VITE TBQST M10x25	VIS 10x25 GALVANISE	GALVANIZED SCREW 10x25	ZINK-SCHRAUBE 10x25
74	450234	PIASTRA PORTA SCATOLA TRINCIA	SUPPORT DU BOITIER	GEARBOX SUPPORT	GETRIEBEGEHAEUSEHALTER
76	550716	TIRANTE CASTELLO TRINCIA MT NUOVA VERSIONE	TIRANT ATTELAGE 3 POINTS MT	HEADSTOCK REAR STAY MT	ZUGSTANGE MT
78	171093	PERNO SUP.D.25 Lu=125 (2øCAT) ZINCATO+SPINA CON MOLLA+CATENELLA	AXE	PIN	BOLZEN
79	171094	PERNO INF.D.28 Lu=125 (2øCAT) ZINCATO+SPINA CON MOLLA+CATENELLA	AXE	PIN	BOLZEN
81	450415	MAZZA STAMPATA GRANDE KT/MT	MARTEAU ET/GT/LT/KT/MT/UT	HAMMER ET/GT/LT/KT/MT/UT	HAMMER ET/GT/LT/KT/MT/UT
82	450353	DISTANZIALE	ENTRETOISE	SPACER	ABSTANDSSTUECK
85	300500Z	ITAPPO 1/2"GX16 (CH=27, Htot=24) CON ZINCATURA GIALLA	RENIFLARD	VENT	ENTLUFTER
86	450318	PERNO PARASASSI MX/KT/MT/ST 200	BARRE PETITS TOLES PROTECTION ANT. LT/GT/MT/KT/ST 200	STONE GUARD ROD LT/GT/MT/KT/ST 200	SCHUTZBLECHSSTANGE LT/GT/MT/KT/ST 200
	450319	PERNO PARASASSI MX/KT/MT/ST 220	BARRE PETITS TOLES PROTECTION ANT. LT/GT/KT/MT/ST 220	STONE GUARD ROD LT/GT/KT/MT/ST 220	SCHUTZBLECHSSTANGE LT/GT/KT/MT/ST 220
	450320	PERNO PARASASSI MX/KT/MT/ST 240	BARRE PETITS TOLES PROTECTION ANT. KT/MT/ST 240	STONE GUARD ROD KT/MT/ST 240	SCHUTZBLECHSSTANGE KT/MT/ST 240
	450321	PERNO PARASASSI MX/KT/MT/ST 260	BARRE PETITS TOLES PROTECTION ANT. KT/MT/ST 260	STONE GUARD ROD KT/MT/ST 260	SCHUTZBLECHSSTANGE KT/MT/ST 260
	450322	PERNO SUPPORTO PARASASSI MX/KT/MT/ST 280	BARRE PROTECTION MX/KT/MT/ST.280	STONE GUARD ROD MX/KT/MT/ST.280	SCHUTZBLECHSSTANGE MX/KT/MT/ST.280
	450323	PERNO SUPPORTO PARASASSI MX/KT/MT/ST 300	BARRE PETITS TOLES PROTECTION ANT. KT/MT/ST 300	STONE GUARD ROD KT/MT/ST 300	SCHUTZBLECHSSTANGE KT/MT/ST 300
	450363	PERNO SUPPORTO PARASASSI MX/KT/MT/ST 320	BARRE PETITS TOLES PROTECTION ANT. KT/MT/ST 320	STONE GUARD ROD KT/MT/ST 320	SCHUTZBLECHSSTANGE KT/MT/ST 320
87	860700	COFANO SINISTRO TRINCIA PIEGHEVOLE MP.440	CARTER GAUCHE MP.440	CHASSIS LH MP.440	WANNE L.MP.440
	860701	COFANO DESTRO TRINCIA PIEGHEVOLE MP.440	CARTER DROITE MP.440	CHASSIS RH MP.440	WANNE R. MP.440
		#N/A	#N/A	#N/A	#N/A
		#N/A	#N/A	#N/A	#N/A
		#N/A	#N/A	#N/A	#N/A
		#N/A	#N/A	#N/A	#N/A
		#N/A	#N/A	#N/A	#N/A
		#N/A	#N/A	#N/A	#N/A
88	560723	COFANO POSTERIORE MT.200	TABLIER ARRIERE MT.200	TAILGATE MT.200	BODENKLAPPE MT.200
	560724	COFANO POSTERIORE MT.220	TABLIER ARRIERE MT.220	TAILGATE MT.220	BODENKLAPPE MT.220
	560725	COFANO POSTERIORE MT.240	TABLIER ARRIERE MT.240	TAILGATE MT.240	BODENKLAPPE MT.240
	560729	COFANO POSTERIORE MT.260	TABLIER ARRIERE MT.260	TAILGATE MT.260	BODENKLAPPE MT.260
	560730	COFANO POSTERIORE MT.280	TABLIER ARRIERE MT.280	TAILGATE MT.280	BODENKLAPPE MT.280
	560731	COFANO POSTERIORE MT.300	TABLIER ARRIERE MT.300	TAILGATE MT.300	BODENKLAPPE MT.300
	560732	COFANO POSTERIORE MT.320	TABLIER ARRIERE MT.320	TAILGATE MT.320	BODENKLAPPE MT.320
89	560733	RINFORZO SX	PLAQUE DE RENFORCEMENT GE	STRENGTHENING PLATE LH	VERSTAERKUNG PLATTE, L
90	560734	RINFORZO DX	PLAQUE DE RENFORCEMENT DE	STRENGTHENING PLATE RH	VERSTAERKUNG PLATTE, R.
91	450500	TUBO 3/8 R1T OCCH.1/2/MASCH.1/2 LG-2800	TUYAU FLEXIBLE	HOSE	SCHLAUCH
92	450501	TUBO 3/8 R1T OCCH.1/2/MASCH.1/2 LG-2300	TUYAU FLEXIBLE	HOSE	SCHLAUCH
93	300509	BULLONE FORATO 1/2	VIS PERCEE	BOLT FOR BANJO	HOHLSCHRAUBE
94	300508	ROSETTA DI TENUITA 1/2"G	RONDELLE 1/2	WASHER 1/2	SCHIEBE 1/2
95	320507	INNESTO RAPIDO 1/2"	RACCORD RAPIDE	QUICK RELEASE	ANSCHLUSS
96	254580	CALETTATORE 45x80	CALETEUR 45x80	SELF LOCK HUB+E883 45x80	SPANNSTUECK 45x80
97	4B2880	PULEGGIA GOLA 4XTIPO B Dp280- Di 80	PULIE	PULLEY	RIEMENSCHIEBE
98	V41408Z	VITE TE M14x40x1,5 8.8 TOT.FILL. UNI 5740 CON ZINCATURA	VIS 14x40x1,5 GALVANISE	SCREW 14x40x1,5 GALVANIZED	ZINK-SCHRAUBE 14x40x1,5
99	A41416Z	DADO AUTOBLALTO M14x1,5 CL.8 DIN 982 CON ZINCATURA	ECROU AUT. M14x1,5 GALVANISE	GALVANISED LOCKNUT M14x1,5	STOP-MUTTER
100	V41208Z	VITE TE M12x40x1,25 8.8 TOT.FILL. UNI 5740 CON ZINCATURA	VIS 12x40x1,25 GALVANISE	SCREW 12x40x1,25 GALVANIZED	ZINK-SCHRAUBE 12x40x1,25
101	181224Z	ROSETTA PIANA 13x24x2,5 UNI 6592 CON ZINCATURA	RONDELLE GALVANISEE	GALVANIZED W ASHER	ZINK-SCHEIBE
102	A41214Z	DADO AUTOBLALTO M12x1,25 CL.8 DIN 982 CON ZINCATURA	ECROU AUT. M12x1,25 GALVANISE	GALVANISED LOCKNUT M12x1,25	STOP-MUTTER
103	V41409Z	VITE TE M14x45x1,5 8.8 TOT.FILL. UNI 5740 CON ZINCATURA	VIS 14x45x1,5 GALVANISE	SCREW 14x45x1,5 GALVANIZED	ZINK-SHRAUBE 14x45x1,5

104	00L207	CUSCINETTO+SUPPORTO 2FORI COD.FL207	ROULEMENT	BEARING	LAGER
106	171015	INGRASSATORE M10x1.5 DRITTO T.SFERA UNI 7663 TIPO A	GRAISSEUR 10x1.5	GREASE NIPPLE 10x1.5	SCHMIERNIPPEL 10x1.5
107	A41618Z	DADO AUTOBLALTO M16x1.5 CL.8 DIN 982 CON ZINCATURA	ECROU AUT. M16x1.5 GALVANISE	GALVANISED LOCKNUT M16x1.5	STOP-MUTTER
108	314100	MARTINETTO CORSA=450 Ds=25 Da=40 PER TRINCIATRICE	VERIN COMPLET POUR BROYEUR	COMPLETE CYLINDER FOR SHREDDER	KOMPLETTER ZYLINDER FUER SCHLEGEL- HAECKSLER
110	310516	SERIE GUARNIZIONI MARTINETTO TRINCIA	JEU DE BAGUES D'ETANCHEITE	PACKING RING SET	DICHRINGSATZ
111	171104	TAPPO 80x80	BOUCHON	PLUG	STOPFEN
115	550741	SUPPORTO MOBILE RUOTA TRINCIA MT NUOVO MOD.	SUPPORT MOBILE DE ROUE MT	WHEEL HOLDER MT	BEWEGLICHER RADHALTER MT
116	550742	SOSTEGNO MOZZO RUOTA TRINCIA MT NUOVO MOD.	BRAS DE ROUE AVEC MOYEU MT	WHEEL ARM MT	RADARM MT
117	458200	RUOTA TRINCIA MT/ST	ROUE MT/ST	WHEEL MT/ST	RAEDERSATZ MT/ST
118	550740	SUPPORTO AL TELAIO RUOTA TRINCIA MT NUOVO MOD.	CHAPPE D'ATTELAGE DE ROUE MT	WHEEL HOLDER MT	RADBUEGELHALTERUNG MT
119	454600	PERNO RUOTA TRINCIA	AXE	PIN	BOLZEN
120	170006	SPINA CON MOLLA A SCATTO D.5,5	GOUJON DE SURETE	LINCH PIN	KLAPPSPLINT
121	650303	CAVALLOTTO 100M14	ETRIER	U BOLT	HALTER
122	450342	BOCCOLA DI GUIDA	DOUILLE	BUSH	BUECHSE
123	V41612Z	VITE TE M16x60x1,5 8.8 TOT.FILL. UNI 5740 CON ZINCATURA	VIS 16x60x1.5 GALVANISE	SCREW 16x60x1.5 GALVANIZED	ZINK-SCHRAUBE 16x60x1.5
124	V41610Z	VITE TE M16x50x1,5 8.8 TOT.FILL. UNI 5740 CON ZINCATURA	VIS	SCREW	SCHRAUBE
125	181236	ROSETTA LARGA 13x36x3 UNI 6593	RONDELLE	WASHER	SCHEIBE
126	V51206	VITE TE M12x30 P.G. 8.8 TOT.FILL. UNI 5739	VIS 12x30	SCREW 12x30	SCHRAUBE 12x30
127	450430	PALETTA DI VENTILAZIONE MT	LANGUETTE MOYENNE MT	INTERMEDIATE TONGUE MT	ZWISCHENSCHAUFEL MT
128	450423	SUOLA ANTIUSURA GT/LT/MT/KT	PATIN ANTI-USAGE GT/LT/MT/KT	WEARING SLAID GT/LT/MT/KT	SCHLEIFKUFEN GEGEN VERSCHLEISS GT/LT/MT/KT
129	V81208	VITE TS M12x40 P.G. 10.9 UNI 5933	VIS	SCREW	SCHRAUBE
130	061002Z	VITE TBQST M10x25	VIS 10x25 GALVANISE	GALVANIZED SCREW 10x25	ZINK-SCHRAUBE 10x25
132	770702	ALA ERPICE PIEGHEVOLE DX	CHASSIS DROITE SH	CHASSIS RIGHT SH	GESTELL R. SH
	770703	ALA ERPICE PIEGHEVOLE SX	CHASSIS GAUCHE SH	CHASSIS LEFT SH	GESTELL L. SH
133	560923	GR.RUOTE POSTERIORI TRINCIA MT NUOVO MOD.	JEU DE ROUES ARRIERE MT	REAR WHEELS MT	HINTERE RAEDER MT
134	770705	PISTONE SOLLEVAMENTO ALI	PISTON CHASSIS SH	CHASSIS PISTON SH	ZYLINDER FUER KLAPPBARES GESTELL
135	770706	ATTACCO OSCILLANTE ERPICE PIEGHEVOLE	ATTELAGE FLOTTANT	FLOATING TOP LINK	FESTELLBARE OBERLENKERANHAENGUNG
136	300416	PROTEZIONE PER GIUNTO CARDANICO	PROTECTION GARDAN	PTO GUARD	SCHUTZ
137	171093	PERNO SUP.D.25 Lu=125 (2øCAT) ZINCATO+SPINA CON MOLLA+CATENELL	AXE	PIN	BOLZEN
138	V50805Z	VITE TE M8x25 P.G. 8.8 TOT.FILL. UNI 5739 CON ZINCATURA	VIS	SCREW	SCHRAUBE
139	300415	SUPPORTO PROTEZIONE	PALIER DE LA PROTECTION	BRACKET	SCHUTZHALTERUNG
140	V51004	VITE TE M10x20 P.G. 8.8 TOT.FILL. UNI 5739	VIS 10x20	SCREW 10x20	SCHRAUBE 10x20
142	650303	CAVALLOTTO 100M14	ETRIER	U BOLT	HALTER
143	V41209Z	VITE TE M12x45x1,25 8.8 TOT.FILL. UNI 5740 CON ZINCATURA	VIS 12x40x1,25 GALVANISE	SCREW 12x40x1,25 GALVANIZED	ZINK-SCHRAUBE 12x40x1,25
144	440504	NIPLES	RACCORD	UNION	ANSCHLUSS
145	770300	VITE M30x2 L=157	VIS	SCREW	SCHRAUBE
146	770301	VITE M30x2 L=197	VIS	SCREW	SCHRAUBE
147	770302	DADO M30X2	ECROU	NUT	MUTTER
148	770500	VALVOLA DI BLOCCO	VALVE DE FIXATION	FIXING VALVE	BEFESTIGUNGSSTUECK
149	770501	TUBO Lg=2000 PER PISTONE ALI PIEGHEVOLE	TUYAU FLEXIBLE	HOSE	SCHLAUCH
150	300505	ROSETTA DI TENUTA 3/8	RONDELLE 3/8	WASHER 3/8	SCHEIBE 3/8
151	770502	NIPLES	RACCORD	UNION	ANSCHLUSS
152	300503	BOCCHETTONE PER ANELLI ORIENT.	VIS PERCEE	PLUG FOR SWIEL RINGS	HOHLSCHRAUBE
153	770306	PERNO	AXE	PIN	BOLZEN
154	770200	GANCIO ALI	POINT D'ACCROCHAGE	TOWING HOOK	PUNKT ZUM AUFHANGUNG
155	V41210Z	VITE TE M12x50x1,25 8.8 TOT.FILL. UNI 5740 CON ZINCATURA	VIS	SCREW	SCHRAUBE
156	A52022Z	DADO AUTOBLALTO M20 P.G. CL.8 DIN 982 CON ZINCATURA	ECROU AUT. M20 GALVANISE	GALVANISED LOCKNUT M20	MUTTER, SELBST.
157	770711	PISTON	PISTON CHASSIS SH	CHASSIS PISTON SH	ZYLINDER FUER KLAPPBARES GESTELL
158	760500	TUBO 3/8 R1T OCCH./MASCH. 1/4 LG-2800	TUYAU FLEXIBLE	HOSE	SCHLAUCH
159	760503	BULLONE FORATO DA 1/4	VIS PERCEE	BOLT FOR BANJO	HOHLSCHRAUBE
160	770303	PERNO	AXE	PIN	BOLZEN
161	770304	PERNO	AXE	PIN	BOLZEN
164	860301	CONVOGLIATORE ANTERIORE TRINCIA PIEGHEVOLE	DENT EFFACE-TRACE	WHEEL TRACK ERADICATOR TINE	SPURLOCKERER

166	V41414	VITE TE M14x70x1.5 8.8 TOT.FILL. UNI 5740	VIS 14x70x1.5	SCREW 14x70x1.5	SCHRAUBE 14x70x1.5
169	860201	PROTEZIONE CARDANO LATO SCATOLA CENTR.	PROTECTION CARDAN	PTO GUARD	SCHUTZ
170	860202	COPERCHIO PROTEZIONE CARDANO LATO SCATOLA CENTR.	COUVERCLE PROTECTION CARDAN	PTO GUARD COVER	LAGERDECKEL
171	556300	ASTUCCIO SEMIASSE TRINCIA RT	TROMPETTE GAUCHE RT	SIDE DRIVE SHAFT SUPPORT RT	ANTRIEBSWELLENGEHAUSE RT
172	550310	SEMIASSE TRINCIA RT	ARBRE SECONDAIRE RT	SIDE SHAFT RT	ANTRIEBSWELLE RT
173	300501	TAPPO DI SFIATO 1/2"G	RENIFLARD	VENT	ENTLUFTER
174	320502	TAPPO CONICO 1/4" GAS	BOUCHON	PLUG	STOPFEN
175	006209	CUSCINETTO 6209	ROULEMENT 6209	BEARING 6209	LAGER 6209
176	141045	ANELLO DI SICUREZZA FORO D.45 UNI 7437	BAGUE D'ARRET	CIRCLIP	SEEGERRING
177	141085	ANELLO DI SICUREZZA FORO D.85	BAGUE D'ARRET	CIRCLIP	SEEGERRING
178	104585	ANELLO DI TENUTA 458510	JOINT D'ETANCHEITE 458510	OIL SEAL 458510	O-DICHTRING 458510
179	V41624	VITE TE M16x120x1.5 8.8 TOT.FILL. UNI 5740	VIS 16x120x1.5	SCREW 16x120x1.5	SCHRAUBE 16x120x1.5
180	A41618Z	DADO AUTOBLALTO M16x1.5 CL.8 DIN 982 CON ZINCATURA	ECROU AUT. M16x1.5 GALVANISE	GALVANISED LOCKNUT M16x1.5	STOP-MUTTER
181	650304	SNODO PER REGOLAZIONE VENTOLA	ARTICULATION POUR LE REGLAGE DU TABLIER ARRIERE	JOINT FOR TRAILING BOARD ADJUSTMENT	BODENKLAPPEGELENK
182	170005	MOLLA REGOLAZIONE VENTOLA	RESSORT	SPRING	FEDER
183	860204	STAFFA PER GANCIO ALI	PLAQUE	PLATE	HALTERUNG
184	770704	CASTELLO ERPICE PIEGHEVOLE	ATTELAGE 3 POINTS SH	HEADSTOCK SH	3-PUNKT ANBAU SH