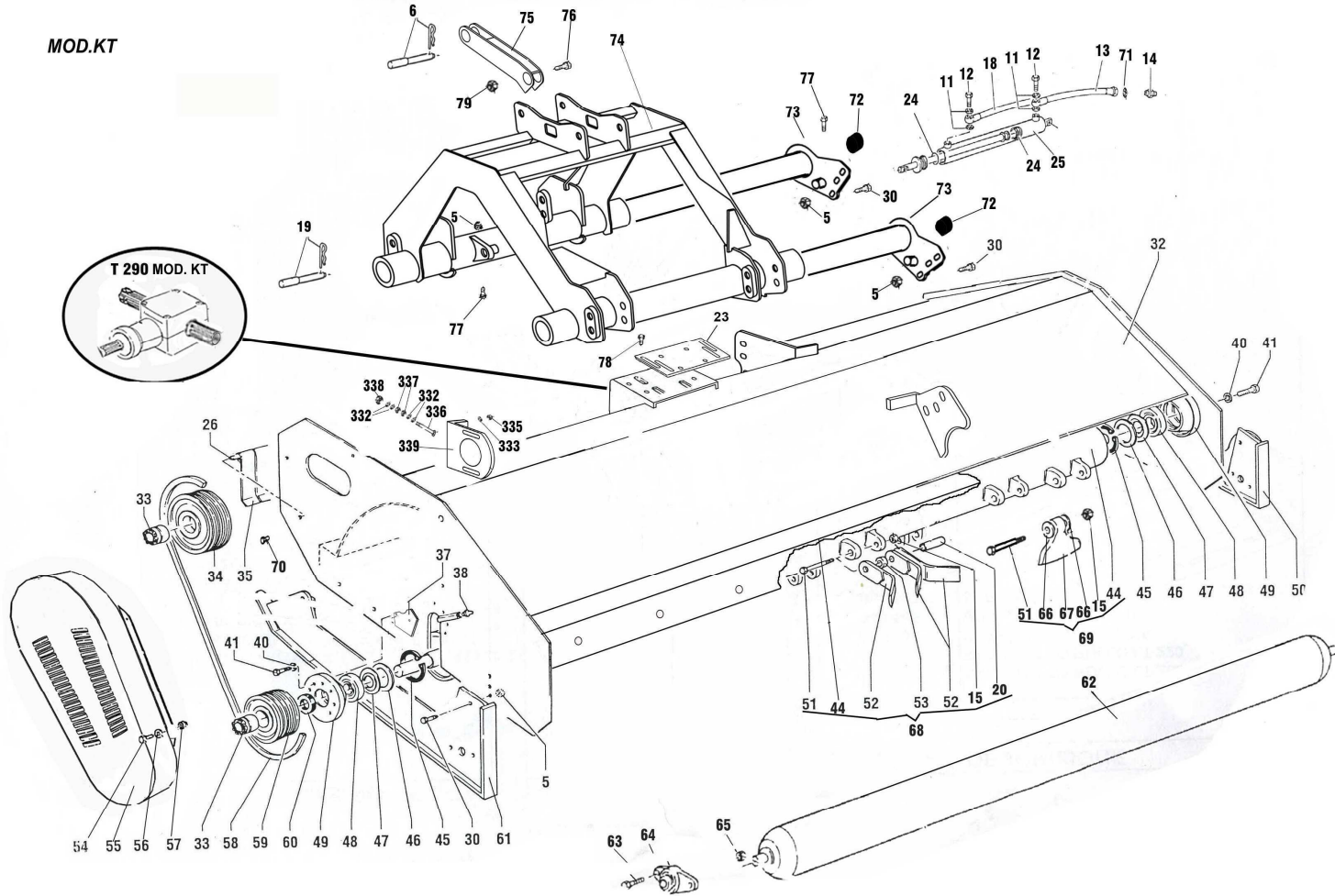


MOD.KT



POS.	COD.	DESCRIZIONE	DESIGNATION	DESCRIPTION	BEZEICHNUNG
5	A41416Z	DADO AUTOBL.ALTO M14x1,5 CL.8 DIN 982 CON ZINCATURA	ECROU AUT. M14x1,5 GALVANISE	GALVANISED LOCKNUT M14x1,5	STOP-MUTTER
6	171093	PERNO SUP.D.25 Lu=125 (2øCAT) ZINCATO+SPINA CON MOLLA+CATENELLA	AXE	PIN	BOLZEN
11	300505	ROSETTA DI TENUTA 3/8	RONDELLE 3/8	WASHER 3/8	SCHEIBE 3/8
→ 30/09/08	300508	ROSETTA DI TENUTA 1/2" G	RONDELLE 1/2	WASHER 1/2	SCHEIBE 1/2
12	300503	BOCCHETTONE PER ANELLI ORIENT.	VIS PERCEE	PLUG FOR SWIEL RINGS	HOHLSCHRAUBE
→ 30/09/08	300509	BULLONE FORATO 1/2	VIS PERCEE	BOLT FOR BANJO	HOHLSCHRAUBE
13	450509	TUBO 3/8 R1T OCCH.3/8MASCH.1/2 LG-2300	TUYAU FLEXIBLE	HOSE	SCHLAUCH
→ 30/09/08	450501	TUBO 3/8 R1T OCCH.1/2/MASCH.1/2 LG-2300	TUYAU FLEXIBLE	HOSE	SCHLAUCH
14	320507	INNESTO RAPIDO 1/2"	RACCORD RAPIDE	QUICK RELEASE	ANSCHLUSS
15	A41618Z	DADO AUTOBL.ALTO M16x1,5 CL.8 DIN 982 CON ZINCATURA	ECROU AUT. M16x1,5 GALVANISE	GALVANISED LOCKNUT M16x1,5	STOP-MUTTER
18	450508	TUBO 3/8 R1T OCCH.3/8MASCH.1/2 LG-2800	TUYAU FLEXIBLE	HOSE	SCHLAUCH
→ 30/09/08	450500	TUBO 3/8 R1T OCCH.1/2/MASCH.1/2 LG-2800	TUYAU FLEXIBLE	HOSE	SCHLAUCH
19	171094	PERNO INF.D.28 Lu=125 (2øCAT) ZINCATO+SPINA CON MOLLA+CATENELLA	AXE	PIN	BOLZEN
20	450305	BOCCOLA COLTELLO MT	DOUILLE	BUSH	BUECHSE
23	450234	PIASTRA PORTA SCATOLA TRINCIA	SUPPORT DU BOITIER	GEARBOX SUPPORT	GETRIEBEGEHAUSEHALTER
24	300516	SERIE GUARNIZIONI MARTINETTO TRINCIA	TUYAU FLEXIBLE	HOSE	SCHLAUCH
25	314100	MARTINETTO CORSA=450 Ds=25 Da=40 PER TRINCIATRICE	VERIN COMPLET POUR BROUYEUR	COMPLETE CYLINDER FOR SHREDDER	KOMPLETTER ZYLINDER FUER SCHLEGEL- HAECKSLER
26	450318	PERNO SUPPORTO PARASASSI MX/KT/MT/ST 200	BARRE PETITS TOLES PROTECTION ANT. LT/GT/MT/KT/ST 200	STONE GUARD ROD LT/GT/MT/KT/ST 200	SCHUTZBLECHSSTANGE LT/GT/MT/KT/ST 200
	450319	PERNO SUPPORTO PARASASSI MX/KT/MT/ST 220	BARRE PETITS TOLES PROTECTION ANT. LT/GT/KT/MT/ST 220	STONE GUARD ROD LT/GT/KT/MT/ST 220	SCHUTZBLECHSSTANGE LT/GT/KT/MT/ST 220
	450320	PERNO SUPPORTO PARASASSI MX/KT/MT/ST 240	BARRE PETITS TOLES PROTECTION ANT. KT/MT/ST 240	STONE GUARD ROD KT/MT/ST 240	SCHUTZBLECHSSTANGE KT/MT/ST 240
	450321	PERNO SUPPORTO PARASASSI MX/KT/MT/ST 260	BARRE PETITS TOLES PROTECTION ANT. KT/MT/ST 260	STONE GUARD ROD KT/MT/ST 260	SCHUTZBLECHSSTANGE KT/MT/ST 260
	450322	PERNO SUPPORTO PARASASSI MX/KT/MT/ST 280	BARRE PROTECTION MX/KT/MT/ST.280	STONE GUARD ROD MX/KT/MT/ST.280	SCHUTZBLECHSSTANGE MX/KT/MT/ST.280
	450323	PERNO SUPPORTO PARASASSI MX/KT/MT/ST 300	BARRE PETITS TOLES PROTECTION ANT. KT/MT/ST 300	STONE GUARD ROD KT/MT/ST 300	SCHUTZBLECHSSTANGE KT/MT/ST 300
	450363	PERNO SUPPORTO PARASASSI MX/KT/MT/ST 320	BARRE PETITS TOLES PROTECTION ANT. KT/MT/ST 320	STONE GUARD ROD KT/MT/ST 320	SCHUTZBLECHSSTANGE KT/MT/ST 320
30	V41408Z	VITE TE M14x40x1,5 8.8 TOT.FILL. UNI 5740 CON ZINCATURA	VIS 14x40x1,5 GALVANISE	SCREW 14x40x1,5 GALVANIZED	ZINK-SCHRAUBE 14x40x1,5
32	790704	COFANO TRINCIA KT 200	CARTER KT.200 NOUVEAU MOD.	CHASSIS KT 200 NEW MOD.	WANNE KT.200 NEUES MOD.
	790705	COFANO TRINCIA KT 220	CARTER KT.220 NOUVEAU MOD.	CHASSIS KT 220 NEW MOD.	WANNE KT.220 NEUES MOD.
	790706	COFANO TRINCIA KT 240	CARTER KT.240 NOUVEAU MOD.	CHASSIS KT 240 NEW MOD.	WANNE KT.240 NEUES MOD.
	790707	COFANO TRINCIA KT 260	CARTER KT.260 NOUVEAU MOD.	CHASSIS KT 260 NEW MOD.	WANNE KT.260 NEUES MOD.
	790708	COFANO TRINCIA KT 280	CARTER KT.280 NOUVEAU MOD.	CHASSIS KT 280 NEW MOD.	WANNE KT.280 NEUES MOD.
	790709	COFANO TRINCIA KT 300	CARTER KT.300 NOUVEAU MOD.	CHASSIS KT 300 NEW MOD.	WANNE KT.300 NEUES MOD.
	790710	COFANO TRINCIA KT 320	CARTER KT.320 NOUVEAU MOD.	CHASSIS KT 320 NEW MOD.	WANNE KT.320 NEUES MOD.
33	254580	CALETTATORE 45x80	CALETEUR 45x80	SELF LOCK HUB+E883 45x80	SPANNSTUECK 45x80
34	4B2580	PULEGGIA GOLA 4XTIPO B Dp250- Di 80 540 rpm	POULIE 540 rpm	PULLEY 540 rpm	RIEMENSCHIEBE 540 rpm
	4B1680	PULEGGIA GOLA 4XTIPO B Dp160- Di 80 1000 rpm	POULIE 1000 rpm	PULLEY 1000 rpm	RIEMENSCHIEBE 1000 rpm
35	450215	PARASASSI PROT. ANTERIORE TRINCIA AT-PT-UT-MT-ST	PROTECTION AT-PT-UT-MT-ST	STONE GUARD AT-PT-UT-MT-ST	SCHUTZBLECH AT-PT-UT-MT-ST
37	450216	PROTEZIONE PULEGGIA TRINCIA	PROTECTION POULIE	PULLEY GUARD	SCHUTZRIEMENSCHIEBE
38	171015	INGRASSATORE M10x1,5 DTRITTO T.SFERA UNI 7663 TIPO A	GRAISSEUR 10x1,5	GREASE NIPPLE 10x1,5	SCHMIERNIPPEL 10x1,5
40	090014Z	ROSETTA ONDULATA 15x28x1,6 ZINCATA UNI 8840-B	RONDELLE	WASHER	SCHEIBE
41	V41406Z	VITE TE M14x30x1,5 8.8 TOT.FILL. UNI 5740 CON ZINCATURA	VIS 14x30x1,5 GALVANISE	SCREW 14x30x1,5 GALVANIZED	ZINK-SCHRAUBE 14x30x1,5
45	141120	ANELLO DI SICUREZZA FORO D.120 UNI 7437	BAGUE D'ARRET	CIRCLIP	SEEGERRING
46	450222	SPESSORE PARAGRASSO TRINCIA	RONDELLE	PLATE	SCHEIBE
47	450221	RONDELLA PARAGRASSO (NILOS 6311 JV)	RONDELLE	SEAL PLATE	SCHEIBE
48	001311	CUSCINETTO 1311	ROULEMENT 1311	BEARING 1311	LAGER 1311
49	450400	SUPPORTO ALBERO TRINCIA	PALIER	SUPPORT	HALTEPLATTE
50	450248	PATTINO DX KT/MT/TT	PATIN DROITE LT/GT/KT/MT/TT	SKID RH MX/KT/MT/TT	SCHLEIFKUFEN, R. LT/GT/KT/MT/TT
51	V01622	VITE TE M16x110x1,5 10.9 PARZ.FILL. UNI 5738	VIS	SCREW	SCHRAUBE
52	450414	COLTELLO UNIVERSALE UT/TT/MT/KT	COUTEAU A Y TT/UT/MT (NOUVEAU MOD)	UNIVERSAL BLADE TT/UT/MT (NEW MOD)	UNIVERSALMESSER TT/UT/MT (NEUES MOD)
53	450332	DISTANZIALE COLTELLO MT	ENTRETOISE	SPACER	ABSTANDSSTUECK
54	V51006Z	VITE TE M10x30 P.G. 8.8 TOT.FILL. UNI 5739 CON ZINCATURA	VIS 10x30 GALVANISE	SCREW 10x30 GALVANIZED	ZINK-SCHRAUBE 10x30
55	450238	COPERCHIO PULEGGIA KT/MT	CARTER LT/GT/KT/MT	COVER LT/GT/KT/MT	RIEMENDECKEL LT/GT/KT/MT
56	181021Z	ROSETTA PIANA 10,5x21x2 UNI 6592 CON ZINCATURA	RONDELLE GALVANISEE	GALVANIZED WASHER	ZINK-SCHEIBE
57	A51012Z	DADO AUTOBL.ALTO M10 P.G. CL.8 DIN 982 CON ZINCATURA	ECROU AUT. M10 GALVANISE	GALVANISED LOCKNUT M10	MUTTER, SELBST.
58	15B700	CINGHIA TRAPEZOIDALE SPBX 1700 540 rpm	COURROIE SPBX 1700 540 rpm	BELT SPBX 1700 540 rpm	RIEMEN SPBX 1700 540 rpm
	15B600	CINGHIA TRAPEZOIDALE SPBX 1600 1000 rpm	COURROIE SPBX 1600 1000 rpm	BELT SPBX 1600 1000 rpm	RIEMEN SPBX 1600 1000 rpm
59	4B2180	PULEGGIA GOLA 4XTIPO B Dp212- Di 80 540 rpm	POULIE 540 rpm	PULLEY 540 rpm	RIEMENSCHIEBE 540 rpm
	4B2580	PULEGGIA GOLA 4XTIPO B Dp250- Di 80 1000 rpm	POULIE 1000 rpm	PULLEY 1000 rpm	RIEMENSCHIEBE 1000 rpm

60	105580	ANELLO DI TENUTA 558010	JOINT D'ETANCHEITE 558010	OIL SEAL 558010	O-DICHTRING 558010
61	450249	PATTINO SX KT/MT/TT	PATIN GAUCHE LT/GT/KT/MT/TT	SKID LH MX/KT/MT/TT	SCHLEIFKUFEN, L. LT/GT/KT/MT/TT
62	456700	RULLO POST. KT 200	ROULEAU ARRIERE LT/GT/MT/KT/ST 200	REAR ROLLER LT/GT/MT/KT/ST 200	STUETZWALZE LT/GT/MT/KT/ST 200
	456800	RULLO POST. KT 220	ROULEAU ARRIERE LT/MT/KT/ST 220	REAR ROLLER LT/MT/KT/ST 220	STUETZWALZE LT/MT/KT/ST 220
	456900	RULLO POST. KT 240	ROULEAU ARRIERE MT/KT/ST 240	REAR ROLLER MT/KT/ST 240	STUETZWALZE MT/KT/ST 240
	457000	RULLO POST. KT 260	ROULEAU ARRIERE MT/KT/ST 260	REAR ROLLER MT/KT/ST 260	STUETZWALZE MT/KT/ST 260
	457100	RULLO POST. KT 280	ROULEAU ARRIERE MT/KT/ST 280	REAR ROLLER MT/KT/ST 280	STUETZWALZE MT/KT/ST 280
	457200	RULLO POST. KT 300	ROULEAU ARRIERE MT/KT/ST 300	REAR ROLLER MT/KT/ST 300	STUETZWALZE MT/KT/ST 300
	457400	RULLO POST. KT 320	ROULEAU ARRIERE KT.320	REAR ROLLER KT.320	STUETZWALZE KT.320
63	V41409Z	VITE TE M14x45x1,5 8.8 TOT.FILL. UNI 5740 CON ZINCATURA	VIS 14x45x1,5 GALVANISE	SCREW 14x45x1,5 GALVANIZED	ZINK-SHRAUBE 14x45x1,5
64	00L207	CUSCINETTO+SUPPORTO 2FORI COD.FL207	ROULEMENT	BEARING	LAGER
65	A41416Z	DADO AUTOBL.ALTO M14x1,5 CL.8 DIN 982 CON ZINCATURA	ECROU AUT. M14x1,5 GALVANISE	GALVANISED LOCKNUT M14x1,5	STOP-MUTTER
66	450353	DISTANZIALE	ENTRETOISE	SPACER	ABSTANDSSTUECK
67	450415	MAZZA KT/MT	MARTEAU ET/GT/LT/KT/MT/UT	HAMMER ET/GT/LT/KT/MT/UT	HAMMER ET/GT/LT/KT/MT/UT
68	56RW13	ROTORE KT200 CON COLTELLI	ROTOR MX-MT200 COUTEAUX	ROTOR MX-MT200 WITH FLAITS	MX-MT200 ROTORWELLE MIT SCHLEGELMESSER
	56RW14	ROTORE KT220 CON COLTELLI	ROTOR MX-MT220 COUTEAUX	ROTOR MX-MT220 WITH FLAITS	MX-MT220 ROTORWELLE MIT SCHLEGELMESSER
	56RW15	ROTORE KT240 CON COLTELLI	ROTOR MX-MT240 COUTEAUX	ROTOR MX-MT240 WITH FLAITS	MX-MT240 ROTORWELLE MIT SCHLEGELMESSER
	56RW16	ROTORE KT260 CON COLTELLI	ROTOR MX-MT260 COUTEAUX	ROTOR MX-MT260 WITH FLAITS	MX-MT260 ROTORWELLE MIT SCHLEGELMESSER
	56RW17	ROTORE KT280 CON COLTELLI	ROTOR MX-MT280 COUTEAUX	ROTOR MX-MT280 WITH FLAITS	MX-MT280 ROTORWELLE MIT SCHLEGELMESSER
	56RW18	ROTORE KT300 CON COLTELLI	ROTOR MX-MT300 COUTEAUX	ROTOR MX-MT300 WITH FLAITS	MX-MT300 ROTORWELLE MIT SCHLEGELMESSER
	56RW19	ROTORE KT320 CON COLTELLI	ROTOR MX-MT320 COUTEAUX	ROTOR MX-MT320 WITH FLAITS	MX-MT320 ROTORWELLE MIT SCHLEGELMESSER
69	56RZ13	ROTORE KT200 CON MAZZE	ROTOR MX-MT200 MARTEAUX	ROTOR MX-MT200 WITH HAMMERS	MX-MT200 ROTORWELLE MIT SCHLEGELHAEMMER
	56RZ14	ROTORE KT220 CON MAZZE	ROTOR MX-MT220 MARTEAUX	ROTOR MX-MT220 WITH HAMMERS	MX-MT220 ROTORWELLE MIT SCHLEGELHAEMMER
	56RZ15	ROTORE KT240 CON MAZZE	ROTOR MX-MT240 MARTEAUX	ROTOR MX-MT240 WITH HAMMERS	MX-MT240 ROTORWELLE MIT SCHLEGELHAEMMER
	56RZ16	ROTORE KT260 CON MAZZE	ROTOR MX-MT260 MARTEAUX	ROTOR MX-MT260 WITH HAMMERS	MX-MT260 ROTORWELLE MIT SCHLEGELHAEMMER
	56RZ17	ROTORE KT280 CON MAZZE	ROTOR MX-MT280 MARTEAUX	ROTOR MX-MT280 WITH HAMMERS	MX-MT280 ROTORWELLE MIT SCHLEGELMESSER
	56RZ18	ROTORE KT300 CON MAZZE	ROTOR MX-MT300 MARTEAUX	ROTOR MX-MT300 WITH HAMMERS	MX-MT300 ROTORWELLE MIT SCHLEGELHAEMMER
	56RZ19	ROTORE KT320 CON MAZZE	ROTOR MX-MT320 MARTEAUX	ROTOR MX-MT320 WITH HAMMERS	MX-MT320 ROTORWELLE MIT SCHLEGELHAEMMER
70	300500Z	TAPPO 1/2"Gx16 (CH=27, Htot=24) CON ZINCATURA GIALLA	RENIFLARD	VENT	ENTLUFTER
71	300508	ROSETTA DI TENUTA 1/2"G	RONDELLE 1/2	WASHER 1/2	SCHEIBE 1/2
72	171104	TAPPO 80x80	BOUCHON	PLUG	STOPFEN
73	550713	TUBO GUIDA MX/MT.200-220	TUBE ATTELAGE 3 POINTS MX/MT.200-220	FRONT SIDE SHIFT TUBE MX/MT.200/220	MX/MT.200-220 LENKROHR
	550714	TUBO GUIDA MX/MT.240-260-280-300-320	TUBE ATTELAGE 3 POINTS MX/MT.240-260-280-300-320	FRONT SIDE SHIFT TUBE MX/MT.240-260-280-300-320	MX/MT.240-260-280-300-320 LENKROHR
74	790711	CASTELLO KT 220/320 NUOVA VERSIONE	ATTELAGE 3 POINTS KT 220/320	HEADSTOCK KT 220/320	KT 220/320 3-PUNKT ANBAU
75	790701	ATTACCO OSCILLANTE KT	ATTELAGE FLOTTANT KT	FLOATING TOP LINK	
76	V62434Z	VITE TE M24x170x2 8.8 PARZ.FILL.UNI 5738 CON ZINCATURA	VIS	SCREW	SCHRAUBE
77	V61412Z	VITE TE M14x60x1,5 8.8 PARZ.FILL.UNI 5738 CON ZINCATURA	VIS	SCREW	SCHRAUBE
78	V41410Z	VITE TE M14x50x1,5 8.8 TOT.FILL. UNI 5740 CON ZINCATURA	VIS	SCREW	SCHRAUBE
79	A42428Z	DADO AUTOBL.ALTO M24x2 CL.8 DIN 982 CON ZINCATURA	ECROU AUT. M24x2 GALVANISE	GALVANISED LOCKNUT M24x2	STOP-MUTTER
332	181428Z	ROSETTA PIANA 15x28x2,5 UNI 6592 CON ZINCATURA	RONDELLE	WASHER	SCHEIBE
333	091627	ROSETTA ELASTICA 16x27x3,5 UNI 1751	RONDELLE	WASHER	SCHEIBE
334	V51606	VITE TE M16x30 P.G. 8.8 TOT.FILL. UNI 5739	VIS 16x30	SCREW 16x30	SCHRAUBE 16x30
335	A41416Z	DADO AUTOBL.ALTO M14x1,5 CL.8 DIN 982 CON ZINCATURA	ECROU AUT. M14x1,5 GALVANISE	GALVANISED LOCKNUT M14x1,5	STOP-MUTTER
336	V41620Z	VITE TE M16x100x1,5 8.8 TOT.FILL. UNI 5740 CON ZINCATURA	VIS	SCREW	SCHRAUBE
337	D41608Z	DADO BASSO M16x1,5 CL.8 UNI 5589 CON ZINCATURA	ECROU M16x1,5 GALVANISE	LOCKNUT	MUTTER
338	D41616Z	DADO ALTO M16x1,5 CL.8 UNI 5587 CON ZINCATURA	ECROU M16x1,5 GALVANISE	GALVANISED NUT M16x1,5	MUTTER
339	550278	PIASTRA DISTANZIALE	ENTRETOISE	SPACER PLATE	ABSTANDSSTUECK