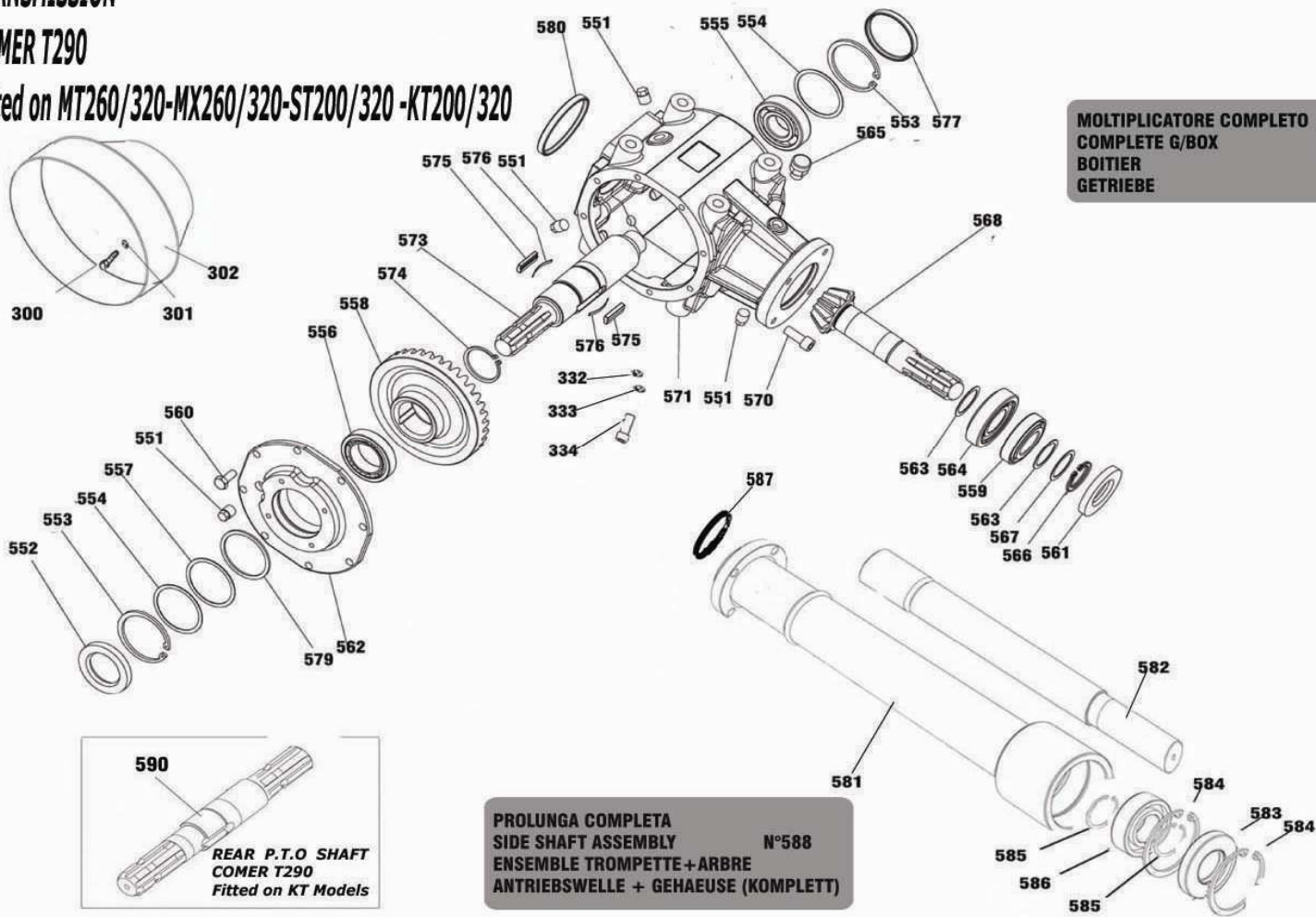


TRANSMISSION

COMER T290

Fitted on MT260/320-MX260/320-ST200/320 -KT200/320



**MOLTIPLICATORE COMPLETO
COMPLETE G/BOX N°589
BOITIER
GETRIEBE**



**PROLUNGA COMPLETA
SIDE SHAFT ASSEMBLY N°588
ENSEMBLE TROMPETTE + ARBRE
ANTRIEBSWELLE + GEHAEUSE (KOMPLETT)**

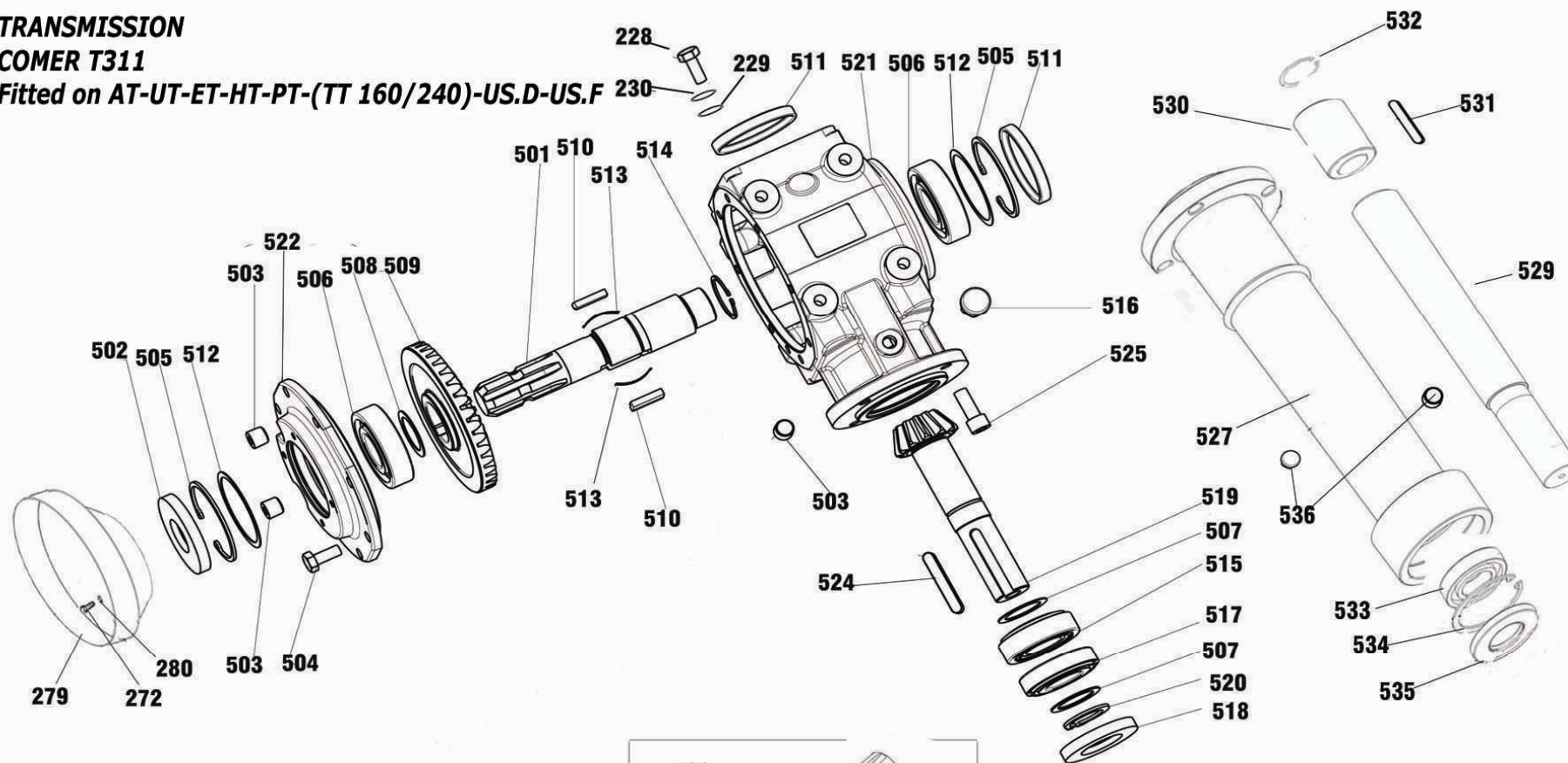
POS.	COD.	DESCRIZIONE	DESIGNATION	DESCRIPTION	BEZEICHNUNG
300	V51005Z	VITE TE M10x25 P.G. 8.8 TOT.FILL. UNI 5739 CON ZINCATURA	VIS 10x25 GALVANISE	SCREW 10x25 GALVANIZED	ZINK-SCHRAUBE 10x25
301	180824Z	ROSETTA LARGA 8,4x24x2 UNI 6593 CON ZINCATURA	RONDELLE	WASHER	SCHIEBE
302	171082	CUFFIA OVALE PROTEZIONE ALBERO CARD	PROTECTION	GUARD	SCHUTZ
332	181428Z	ROSETTA PIANA 15x28x2,5 UNI 6592 CON ZINCATURA	RONDELLE	WASHER	SCHIEBE
333	091627	ROSETTA ELASTICA 16x27x3,5 UNI 1751	RONDELLE	WASHER	SCHIEBE
334	V51606	VITE TE M16x30 P.G. 8.8 TOT.FILL. UNI 5739	VIS 16x30	SCREW 16x30	SCHRAUBE 16x30
335	A41416Z	DADO AUTOBL.ALTO M14x1,5 CL.8 DIN 982 CON ZINCATURA	ECROU AUT. M14x1,5 GALVANISE	GALVANISED LOCKNUT M14x1,5	STOP-MUTTER
336	V41620Z	VITE TE M16x100x1,5 8.8 TOT.FILL. UNI 5740 CON ZINCATURA	VIS	SCREW	SCHRAUBE
337	D41608Z	DADO BASSO M16x1,5 CL.8 UNI 5589 CON ZINCATURA	ECROU M16x1,5 GALVANISE	LOCKNUT	MUTTER
338	D41616Z	DADO ALTO M16x1,5 CL.8 UNI 5587 CON ZINCATURA	ECROU M16x1,5 GALVANISE	GALVANISED NUT M16x1,5	MUTTER
339	550278	PIASTRA DISTANZIALE	ENTRETOISE	SPACER PLATE	ABSTANDSSTUECK
551	570500	TAPPO OLIO 3/8" GAS DIN 906	BOUCHON	PLUG	STIPFEN
552	105080	ANELLO DI TENUTA 508010	JOINT D'ETANCHEITE 508010	OIL SEAL 508010	O-DICHRING 508010
553	143080	ANELLO DI SICUREZZA FORO D.80 SERIE PERSANTE PER SC.GB-CO	BAGUE D'ARRET	CIRCLIP	SEEGERRING
554	CM.0.267.7500.00	SPES.REG. 69.0x79.9	ENTRETOISE	SPACER	ABSTANDSSTUECK
555	006307	CUSCINETTO 6307	ROULEMENT 6307	BEARING 6307	LAGER 6307
556	032010	CUSCINETTO 32010	ROULEMENT	BEARING	LAGER
557	CM.0.267.7510.00	SPES.REG. 69.0x79.7x1.0	ENTRETOISE	SPACER	ABSTANDSSTUECK
558	CM.0.290.6003.00	CORONA CONICA R.L.Z36 M5	COURONNE CONIQUE	BEVEL GEAR	TELLERAD
559	030208	CUSCINETTO 30208	ROULEMENT 30208	BEARING 30208	LAGER 30208
560	V51005Z	VITE TE M10x25 P.G. 8.8 TOT.FILL. UNI 5739 CON ZINCATURA	VIS 10x25 GALVANISE	SCREW 10x25 GALVANIZED	ZINK-SCHRAUBE 10x25
561	104080	ANELLO DI TENUTA 408010	JOINT D'ETANCHEITE 408010	OIL SEAL 408010	O-DICHRING 408010
562	CM.0.290.1367.00	COPERCHIO	COUVERCLE AVANT DU BOITIER	FRONT GEARBOX COVER	LAGERDECKEL
563	CM.0.244.7500.00	SPES.REG. 40.3x51.5	ENTRETOISE	SPACER	ABSTANDSSTUECK
564	030308	CUSCINETTO 30308	ROULEMENT	BEARING	LAGER
565	570501	TAPPO SFIATO OLIO 3/8" GAS	RENIFLARD	VENT	ENTLUFTER
566	144040	ANELLO DI SICUREZZA ALBERO D.40 SERIE PERSANTE PER SC.GB-C	BAGUE D'ARRET	CIRCLIP	SEEGERRING
567	CM.0.244.7510.00	SPES.REG. 51.5x40.3x1.0	ENTRETOISE	SPACER	ABSTANDSSTUECK
568	CM.0.290.5003.00	ALBERO PIGNONE Z12 M5	ARBRE DE SORTIE AVEC PIGNON Z12	OUTPUT SHAFT Z12	KEGELRADWELLE FUER GETRIEBE Z12
570	081230	VITE TCEI M12x30 P.G. 8.8 PARZ.FILL. UNI 5931	VIS	SCREW	SCHRAUBE
571	CM.0.290.0309.00	SCATOLA	BOITIER	GEARBOX	GETRIEBE
573	CM.0290.3211.00	ALBERO CALETTATO R.L. 1"3/8 Z6	ARBRE R.L. 1"3/8 Z6	SHAFT R.L. 1"3/8 Z6	WELLE R.L. 1"3/8 Z6
574	144055	ANELLO DI SICUREZZA ALBERO D.55 SERIE PERSANTE PER SC.GB-C	BAGUE D'ARRET	CIRCLIP	SEEGERRING
575	CM.0.269.7119.00	LINGUETTA X R.L.	CLIQUET	KEY	KEIL
576	CM.0.269.7120.00	MOLLA A LAMINA R.L.	GOUPILLE DE SURETE	CLIP	VORSTECKER
577	CM.8.7.0.00790	TAPPO 80X10	BOUCHON	PLUG	STOPFEN
580	CM.8.7.0.00975	TAPPO 100X10	BOUCHON	PLUG	STOPFEN
579	CM.0.267.7525.00	SPES.REG. 69.0x79.7x2.5	ENTRETOISE	SPACER	ABSTANDSSTUECK
581	792000	ASTUCCIO SEMIASSE T-290 TRINCIA MT-MX-KT.200	TROMPETTE GAUCHE T-290 POUR MT-MX-KT.200	SIDE DRIVE SHAFT SUPPORT T-290 FOR MT-MX-KT.200	ANTRIEBSWELLENGEHAUSE T-290 FOR MT-MX-KT.200
	792100	ASTUCCIO SEMIASSE T-290 TRINCIA MT-MX-KT.220	TROMPETTE GAUCHE T-290 POUR MT-MX-KT.220	SIDE DRIVE SHAFT SUPPORT T-290 FOR MT-MX-KT.220	ANTRIEBSWELLENGEHAUSE T-290 FOR MT-MX-KT.220
	792200	ASTUCCIO SEMIASSE T-290 TRINCIA MT-MX-KT.240	TROMPETTE GAUCHE T-290 POUR MT-MX-KT.240	SIDE DRIVE SHAFT SUPPORT T-290 FOR MT-MX-KT.240	ANTRIEBSWELLENGEHAUSE T-290 FOR MT-MX-KT.240
	792300	ASTUCCIO SEMIASSE T-290 TRINCIA MT-MX-KT.260	TROMPETTE GAUCHE T-290 POUR MT-MX-KT.260	SIDE DRIVE SHAFT SUPPORT T-290 FOR MT-MX-KT.260	ANTRIEBSWELLENGEHAUSE T-290 FOR MT-MX-KT.260
	792400	ASTUCCIO SEMIASSE T-290 TRINCIA MT-MX-KT.280	TROMPETTE GAUCHE T-290 POUR MT-MX-KT.280	SIDE DRIVE SHAFT SUPPORT T-290 FOR MT-MX-KT.280	ANTRIEBSWELLENGEHAUSE T-290 FOR MT-MX-KT.280
	792500	ASTUCCIO SEMIASSE T-290 TRINCIA MT-MX-KT.300	TROMPETTE GAUCHE T-290 POUR MT-MX-KT.300	SIDE DRIVE SHAFT SUPPORT T-290 FOR MT-MX-KT.300	ANTRIEBSWELLENGEHAUSE T-290 FOR MT-MX-KT.300
582	790717	SEMIASSE TRINCIA MT-MX-KT.200	ARBRE SECONDAIRE MT-MX-KT.200	SIDE SHAFT MT-MX-KT.200	ANTRIEBSWELLE MT-MX-KT.200
	790712	SEMIASSE TRINCIA MT-MX-KT.220	ARBRE SECONDAIRE MT-MX-KT.220	SIDE SHAFT MT-MX-KT.220	ANTRIEBSWELLE MT-MX-KT.220
	790713	SEMIASSE TRINCIA MT-MX-KT.240	ARBRE SECONDAIRE MT-MX-KT.240	SIDE SHAFT MT-MX-KT.240	ANTRIEBSWELLE MT-MX-KT.240
	790714	SEMIASSE TRINCIA MT-MX-KT.260	ARBRE SECONDAIRE MT-MX-KT.260	SIDE SHAFT MT-MX-KT.260	ANTRIEBSWELLE MT-MX-KT.260
	790715	SEMIASSE TRINCIA MT-MX-KT.280	ARBRE SECONDAIRE MT-MX-KT.280	SIDE SHAFT MT-MX-KT.280	ANTRIEBSWELLE MT-MX-KT.280
	790716	SEMIASSE TRINCIA MT-MX-KT.300	ARBRE SECONDAIRE MT-MX-KT.300	SIDE SHAFT MT-MX-KT.300	ANTRIEBSWELLE MT-MX-KT.300
583	104585	ANELLO DI TENUTA 458510	JOINT D'ETANCHEITE 458510	OIL SEAL 458510	O-DICHRING 458510
584	141085	ANELLO DI SICUREZZA FORO D.85 UNI 7437	BAGUE D'ARRET	CIRCLIP	SEEGERRING
585	142045	ANELLO DI SICUREZZA ALBERO D.45 UNI 7435	BAGUE D'ARRET	CIRCLIP	SEEGERRING
586	006209	CUSCINETTO 6209	ROULEMENT 6209	BEARING 6209	LAGER 6209
587	790600	ANELLO OR 4362	JOINT TORIQUE 4362	O RING 4362	O-RING 4362
588	790801	PROLUNGA SEMIASSE PER MOD.T-290 TRINCIA MT-MX-KT.200	TROMPETTE+ARBRE POUR T-290	SIDE SHAFT ASSEMBLY FOR T-290	ANTRIEBSWELLE+GEHAUSE ZUM T-290
	790802	PROLUNGA SEMIASSE PER MOD.T-290 TRINCIA MT-MX-KT.220	TROMPETTE+ARBRE POUR T-290	SIDE SHAFT ASSEMBLY FOR T-290	ANTRIEBSWELLE+GEHAUSE ZUM T-290
	790803	PROLUNGA SEMIASSE PER MOD.T-290 TRINCIA MT-MX-KT.240	TROMPETTE+ARBRE POUR T-290	SIDE SHAFT ASSEMBLY FOR T-290	ANTRIEBSWELLE+GEHAUSE ZUM T-290

	790804	PROLUNGA SEMIASSE PER MOD.T-290 TRINCIA MT-MX-KT.260	TROMPETTE+ARBRE POUR T-290	SIDE SHAFT ASSEMBLY FOR T-290	ANTRIEBSWELLE+GEHAEUSE ZUM T-290
	790805	PROLUNGA SEMIASSE PER MOD.T-290 TRINCIA MT-MX-KT.280	TROMPETTE+ARBRE POUR T-290	SIDE SHAFT ASSEMBLY FOR T-290	ANTRIEBSWELLE+GEHAEUSE ZUM T-290
	790806	PROLUNGA SEMIASSE PER MOD.T-290 TRINCIA MT-MX-KT.300	TROMPETTE+ARBRE POUR T-290	SIDE SHAFT ASSEMBLY FOR T-290	ANTRIEBSWELLE+GEHAEUSE ZUM T-290
589	790800	MOLTIPLICATORE COMPLETO COMER T-290	BOITIER COMPLET COMER T-290	COMPLETE GEARBOX COMER T-290	GETRIEBE COMER T-290
	790807	MOLTIPLICATORE COMPLETO COMER T-290 MOD.KT	BOITIER COMPLET COMER T-290	COMPLETE GEARBOX COMER T-290	GETRIEBE COMER T-290
590	CM	ALBERO P.T.O POST. MOD.KT			

TRANSMISSION

COMER T311

Fitted on AT-UT-ET-HT-PT-(TT 160/240)-US.D-US.F



MOLTIPLICATORE COMPLETO
COMPLETE G/BOX N°538
BOITIER
GETRIEBE

539



REAR P.T.O SHAFT
COMER T311
Fitted on HT Models

PROLUNGA COMPLETA
SIDE SHAFT ASSEMBLY N°537
ENSEMBLE TROMPETTE + ARBRE
ANTRIEBSWELLE + GEHAEUSE (KOMPLETT)

POS.	COD.	DESCRIZIONE	DESIGNATION	DESCRIPTION	BEZEICHNUNG
228	V51204	VITE TE M12x20 P.G. 8.8 TOT.FILL. UNI 5739	VIS 12x20	SCREW 12x20	SCHRAUBE 12x20
229	181224Z	ROSETTA PIANA 13x24x2,5 UNI 6592 CON ZINCATURA	RONDELLE GALVANISEE	GALVANIZED WASHER	ZINK-SCHEIBE
230	091221Z	ROSETTA ELASTICA 12x21x2,5 UNI 1751 CON ZINCATURA	RONDELLE	WASHER	SCHIEBE
272	V50803Z	VITE TE M8x16 P.G. 8.8 TOT.FILL. UNI 5739 CON ZINCATURA	VIS	SCREW	SCHRAUBE
279	171081	CUFFIA De=240 H=160 PROT.ALBERO CARD AT-UT-PT	PROTECTION	GUARD	SCHUTZ
280	180824Z	ROSETTA LARGA 8.4x24x2 UNI 6593 CON ZINCATURA	RONDELLE	WASHER	SCHIEBE
501	CM.0311.3201.00	ALBERO CALETTATO R.L. 1"3/8 Z6	ARBRE R.L. 1"3/8 Z6	SHAFT R.L. 1"3/8 Z6	WELLE R.L. 1"3/8 Z6
502	103580	ANELLO DI TENUTA 358010	JOINT D'ETANCHEITE 358010	OIL SEAL 358010	O-DICHRING 358010
503		TAPPO OLIO 3/8" GAS DIN 906	#N/A	#N/A	#N/A
504	V51005Z	VITE TE M10x25 P.G. 8.8 TOT.FILL. UNI 5739 CON ZINCATURA	VIS 10x25 GALVANISE	SCREW 10x25 GALVANIZED	ZINK-SCHRAUBE 10x25
505	141080	ANELLO DI SICUREZZA FORO D.80 UNI 7437	BAGUE D'ARRET	CIRCLIP	SEEGERRING
506	006307	CUSCINETTO 6307	ROULEMENT 6307	BEARING 6307	LAGER 6307
507	CM.0.259.7500.00	SPES.REG. 35.3x48	ENTRETOISE	SPACER	ABSTANDSSTUECK
508	CM.0.313.7000.00	SPES.REG. 35.3x48x1	ENTRETOISE	SPACER	ABSTANDSSTUECK
509	CM.0.311.6214.00	CORONA CONICA R.L.Z36 M4,5	COURONNE CONIQUE	BEVEL GEAR	TELLERAD
510	CM.0.269.7109.00	LINGUETTA X R.L.	CLIQUET	KEY	KEIL
511	CM.8.7.0.00790	TAPPO 80X10	BOUCHON	PLUG	STOPFEN
512	CM.0.267.7500.00	SPES.REG. 69X79.7	ENTRETOISE	SPACER	ABSTANDSSTUECK
513	CM.0.267.7110.00	MOLLA A LAMINA R.L.	GOUPILLE DE SURETE	CLIP	VORSTECKER
514	142042	ANELLO DI SICUREZZA ALBERO D.42 UNI 7435	BAGUE D'ARRET	CIRCLIP	SEEGERRING
515	032207	CUSCINETTO 32207	ROULEMENT 32207	BEARING 32207	LAGER 32207
516	570501	TAPPO SFIATO OLIO 3/8" GAS	RENIFLARD	VENT	ENTLUFTER
517	030207	CUSCINETTO 30207	ROULEMENT 30207	BEARING 30207	LAGER 30207
518	103572	ANELLO DI TENUTA 357210	JOINT D'ETANCHEITE 357210	OIL SEAL 357210	O-DICHRING 357210
519	CM.0.304.5011.00	ALBERO PIGNONE Z12 M4,35	ARBRE DE SORTIE AVEC PIGNON Z12	OUTPUT SHAFT Z12	KEGELRADWELLE FUER GETRIEBE Z12
520	142035	ANELLO DI SICUREZZA ALBERO D.35UNI 7435	BAGUE D'ARRET	CIRCLIP	SEEGERRING
521	CM.0.311.0303.00	SCATOLA	BOITIER	GEARBOX	GETRIEBE
522	CM.0.311.1310.00	COPERCHIO	COUVERCLE AVANT DU BOITIER	FRONT GEARBOX COVER	LAGERDECKEL
524	CM.8.4.1.01669	CHIAVETTA	CLIQUET	KEY	KEIL
525	081230	VITE TCEI M12x30 P.G. 8.8 PARZ.FILL.UNI 5931	VIS	SCREW	SCHRAUBE
527	C.M.2.312.1301.00	ASTUCCIO SEMIASSE INTER.500mm AT140/AT160 - UT140/160-PT140/160 HT160	TROMPETTE GAUCHE	SIDE DRIVE SHAFT SUPPORT	ANTRIEBSWELLENGEHAEUSE
	C.M.2.312.1316.00	ASTUCCIO SEMIASSE INT.700mm AT180/AT200 -UT180-PT180-TT180-HT180 ET160	TROMPETTE GAUCHE	SIDE DRIVE SHAFT SUPPORT	ANTRIEBSWELLENGEHAEUSE
	C.M.2.312.1313.00	ASTUCCIO SEMIASSE INT.810mm UT200-PT200-TT200-HT200 - ET180-ET200 MT/MX200-MT/MX220	TROMPETTE GAUCHE	SIDE DRIVE SHAFT SUPPORT	ANTRIEBSWELLENGEHAEUSE
	C.M.2.	ASTUCCIO SEMIASSE INT.900mm UT220-PT220-HT220 -TT220-TT240-ET220 MT/MX240	TROMPETTE GAUCHE	SIDE DRIVE SHAFT SUPPORT	ANTRIEBSWELLENGEHAEUSE
	C.M.2.312.1304.00	ASTUCCIO SEMIASSE INT.1060mm PT250-TT260	TROMPETTE GAUCHE	SIDE DRIVE SHAFT SUPPORT	ANTRIEBSWELLENGEHAEUSE
529	C.M.0.312.3741.00	SEMIASSE INTER.500mm AT140/AT160 - UT140/160-PT140/160 HT160	ARBRE SECONDAIRE	SIDE SHAFT	ANTRIEBSWELLE
	C.M.0.312.3743.00	SEMIASSE INTER.700mm AT180/AT200 -UT180-PT180-TT180-HT180 ET160	ARBRE SECONDAIRE	SIDE SHAFT	ANTRIEBSWELLE
	C.M.0.312.3745.00	SEMIASSE INTER.810mm UT200-PT200-TT200-HT200 - ET180-ET200 MT/MX200-MT/MX220	ARBRE SECONDAIRE	SIDE SHAFT	ANTRIEBSWELLE
	C.M.0.	SEMIASSE INTER.900mm UT220-PT220-HT220 -TT220-TT240-ET220 MT/MX240	ARBRE SECONDAIRE	SIDE SHAFT	ANTRIEBSWELLE
	C.M.0.312.3747.00	SEMIASSE INTER.1060mm PT250-TT260	ARBRE SECONDAIRE	SIDE SHAFT	ANTRIEBSWELLE
530	C.M.0.312.7000.00	BOCCOLA	DOUILLE	BUSHING	BUECHSE
531	C.M.8.4.1.01630	LINGUETTA TEMPRATA A12X8X50	CLIQUET	KEY	KEIL
532	141033	ANELLO DI SICUREZZA FORO D.33 UNI 7437	BAGUE D'ARRET	CIRCLIP	SEEGERRING
533	006308	CUSCINETTO 6308	ROULEMENT 6308	BEARING 6308	LAGER 6308
534	141090	ANELLO DI SICUREZZA FORO D.90 UNI 7437	BAGUE D'ARRET	CIRCLIP	SEEGERRING
535	104090-02	ANELLO DI TENUTA 40X90X8/7	JOINT D'ETANCHEITE	OIL SEAL	O-DICHRING
536		TAPPO CON ESAGONO EST 3/8" GAS	#N/A	#N/A	#N/A
537	C.M.312.505.00	PROLUNGA COMPLETA INT.500mm AT140/AT160 - UT140/160-PT140/160 HT160	TROMPETTE+ARBRE	SIDE SHAFT ASSEMBLY	ANTRIEBSWELLE+GEHAEUSE
	C.M.312.527.10	PROLUNGA COMPLETA INT.700mm AT180/AT200 -UT180-PT180-TT180-HT180 ET160	TROMPETTE+ARBRE	SIDE SHAFT ASSEMBLY	ANTRIEBSWELLE+GEHAEUSE
	C.M.312.524.00	PROLUNGA COMPLETA INT.810mm UT200-PT200-TT200-HT200 - ET180-ET200 MT/MX200-MT/MX220	TROMPETTE+ARBRE	SIDE SHAFT ASSEMBLY	ANTRIEBSWELLE+GEHAEUSE
	C.M.	PROLUNGA COMPLETA INT.900mm UT220-PT220-HT220 -TT220-TT240-ET220 MT/MX240	TROMPETTE+ARBRE	SIDE SHAFT ASSEMBLY	ANTRIEBSWELLE+GEHAEUSE

538	C.M.312.502.00	PROLUNGA COMPLETA INT.1060mm PT250-TT260
	730800	MOLTIPLICATORE COMPLETO COMER T-311 AT-UT-ET-PT-(TT160/240)- US.D
	730802	MOLTIPLICATORE COMPLETO COMER T-311 MOD HT
	730803	MOLTIPLICATORE COMPLETO COMER T-311 MOD US.F
539	C.M	ALBERO P.T.O POST. MOD.HT

TROMPETTE+ARBRE
BOITIER COMPLETE
BOITIER COMPLETE
BOITIER COMPLETE

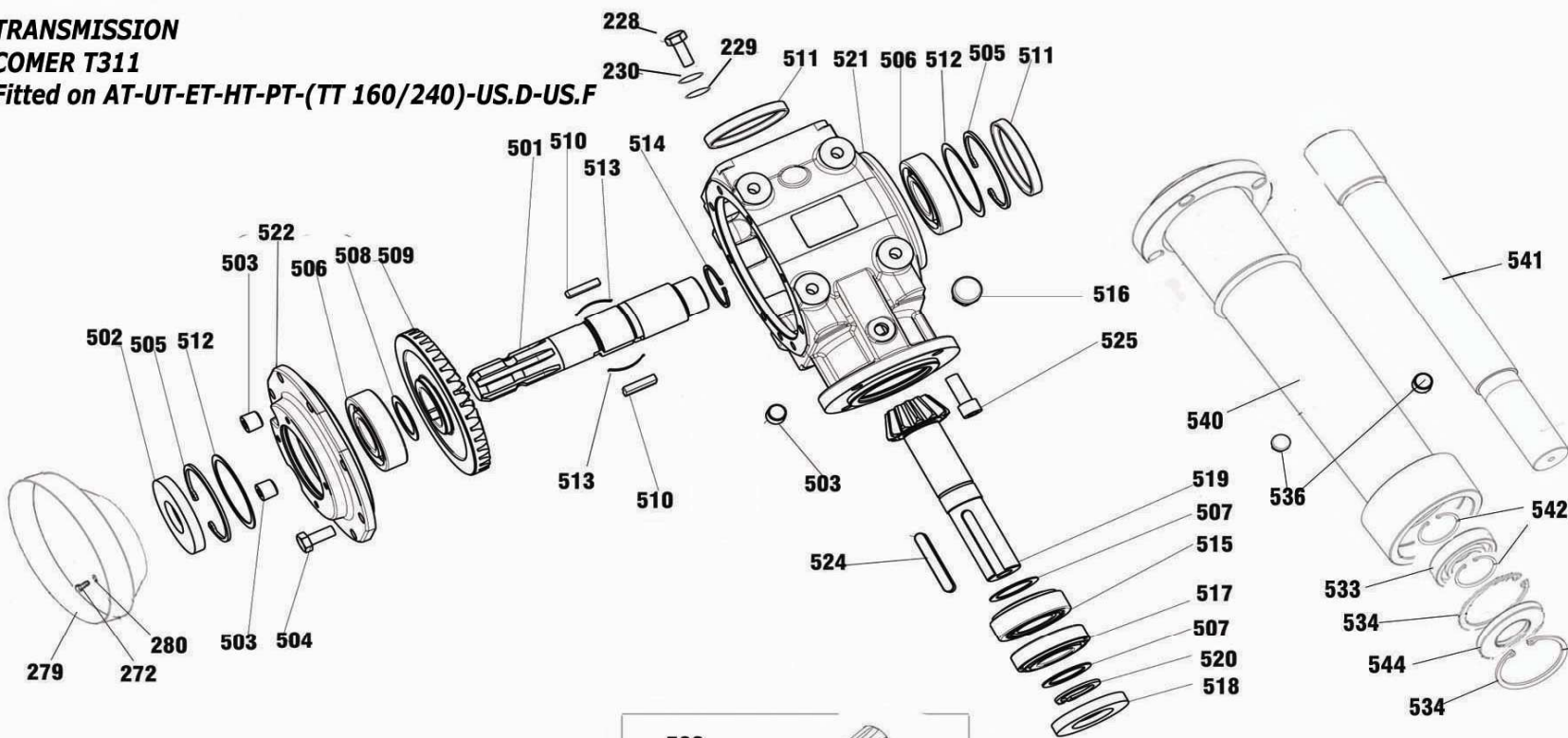
SIDE SHAFT ASSEMBLY
COMPLETE GEARBOX
COMPLETE GEARBOX
COMPLETE GEARBOX

ANTRIEBSWELLE+GEHAEUSE
GETRIEBE
GETRIEBE
GETRIEBE

TRANSMISSION

COMER T311

Fitted on AT-UT-ET-HT-PT-(TT 160/240)-US.D-US.F



**MOLTIPLICATORE COMPLETO
COMPLETE G/BOX N°538
BOITIER
GETRIEBE**



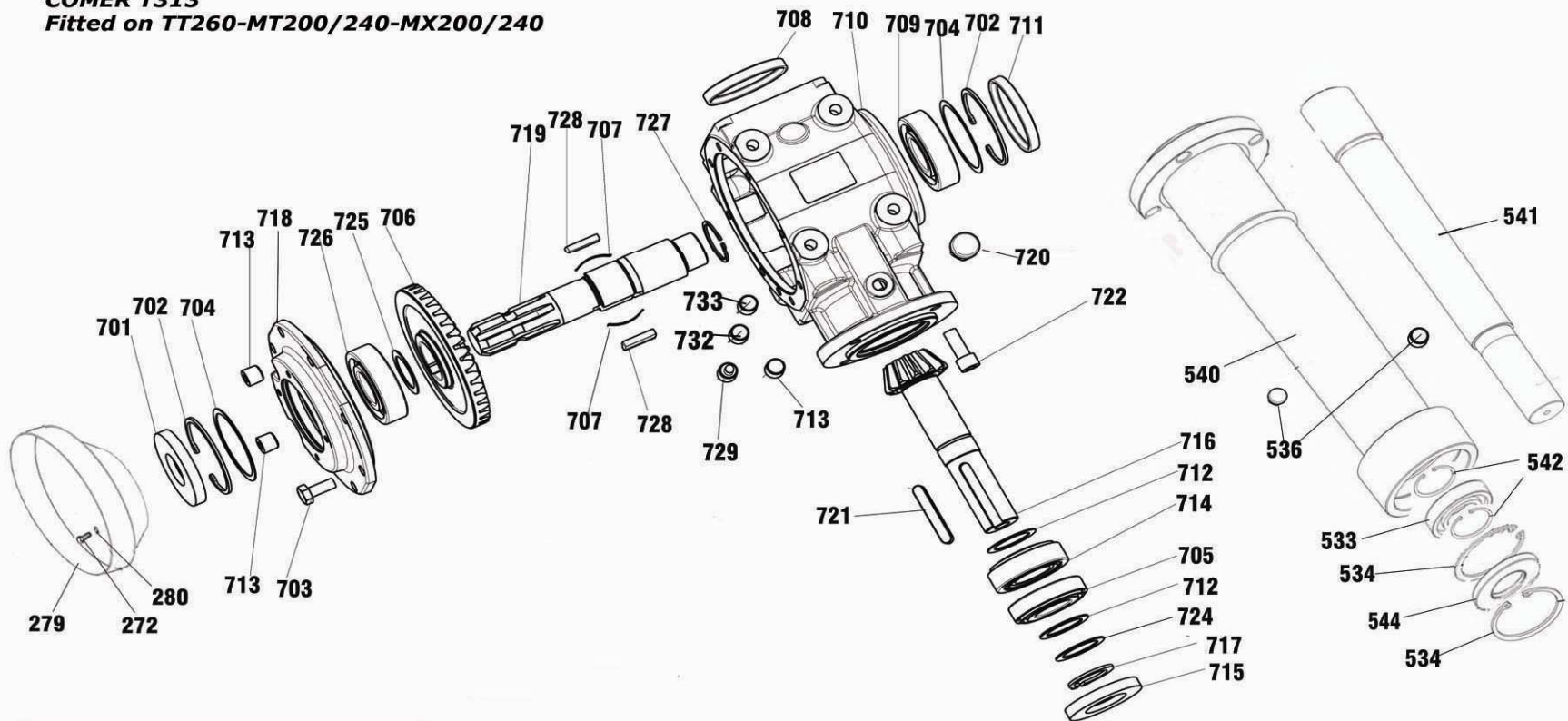
**PROLUNGA COMPLETA
SIDE SHAFT ASSEMBLY N°543
ENSEMBLE TROMPETTE + ARBRE
ANTRIEBSWELLE + GEHAEUSE (KOMPLETT)**

POS.	COD.	DESCRIZIONE	DESIGNATION	DESCRIPTION	BEZEICHNUNG
228	V51204	VITE TE M12x20 P.G. 8.8 TOT.FILL. UNI 5739	VIS 12x20	SCREW 12x20	SCHRAUBE 12x20
229	181224Z	ROSETTA PIANA 13x24x2,5 UNI 6592 CON ZINCATURA	RONDELLE GALVANISEE	GALVANIZED WASHER	ZINK-SCHIEBE
230	091221Z	ROSETTA ELASTICA 12x21x2,5 UNI 1751 CON ZINCATURA	RONDELLE	WASHER	SCHEIBE
272	V50803Z	VITE TE M6x16 P.G. 8.8 TOT.FILL. UNI 5739 CON ZINCATURA	VIS	SCREW	SCHRAUBE
279	171081	CUFFIA De=240 H=160 PROT.ALBERO CARD AT-UT-PT	PROTECTION	GUARD	SCHUTZ
280	180824Z	ROSETTA LARGA 8,4x24x2 UNI 6593 CON ZINCATURA	RONDELLE	WASHER	SCHEIBE
501	CM.0311.3201.00	ALBERO CALETTATO R.L. 1"3/8 Z6	ARBRE R.L. 1"3/8 Z6	SHAFT R.L. 1"3/8 Z6	WELLE R.L. 1"3/8 Z6
502	103580	ANELLO DI TENUTA 358010	JOINT D'ETANCHEITE 358010	OIL SEAL 358010	O-DICHRING 358010
503		TAPPO OLIO 3/8" GAS DIN 906	#N/A	#N/A	#N/A
504	V51005Z	VITE TE M10x25 P.G. 8.8 TOT.FILL. UNI 5739 CON ZINCATURA	VIS 10x25 GALVANISE	SCREW 10x25 GALVANIZED	ZINK-SCHRAUBE 10x25
505	141080	ANELLO DI SICUREZZA FORO D.80 UNI 7437	BAGUE D'ARRET	CIRCLIP	SEEGERRING
506	006307	CUSCINETTO 6307	ROULEMENT 6307	BEARING 6307	LAGER 6307
507	CM.0.259.7500.00	SPES.REG. 35.3x48	ENTRETOISE	SPACER	ABSTANDSSTUECK
508	CM.0.313.7000.00	SPES.REG. 35.3x48x1	ENTRETOISE	SPACER	ABSTANDSSTUECK
509	CM.0.311.6214.00	CORONA CONICA R.L.Z36 M4,5	COURONNE CONIQUE	BEVEL GEAR	TELLERAD
510	CM.0.269.7109.00	LINGUETTA X R.L	CLIQUET	KEY	KEIL
511	CM.8.7.0.00790	TAPPO 80X10	BOUCHON	PLUG	STOPFEN
512	CM.0.267.7500.00	SPES.REG. 69X79,7	ENTRETOISE	SPACER	ABSTANDSSTUECK
513	CM.0.267.7110.00	MOLLA A LAMINA R.L	GOUILLE DE SURETE	CLIP	VORSTECKER
514	142042	ANELLO DI SICUREZZA ALBERO D.42 UNI 7435	BAGUE D'ARRET	CIRCLIP	SEEGERRING
515	032207	CUSCINETTO 32207	ROULEMENT 32207	BEARING 32207	LAGER 32207
516	570501	TAPPO SFIATO OLIO 3/8" GAS	RENIFLARD	VENT	ENTLUFTER
517	030207	CUSCINETTO 30207	ROULEMENT 30207	BEARING 30207	LAGER 30207
518	103572	ANELLO DI TENUTA 357210	JOINT D'ETANCHEITE 357210	OIL SEAL 357210	O-DICHRING 357210
519	CM.0.304.5011.00	ALBERO PIGNONE Z12 M4,35	ARBRE DE SORTIE AVEC PIGNON Z12	OUTPUT SHAFT Z12	KEGELRADWELLE FUER GETRIEBE Z12
520	142035	ANELLO DI SICUREZZA ALBERO D.35UNI 7435	BAGUE D'ARRET	CIRCLIP	SEEGERRING
521	CM.0.311.0303.00	SCATOLA	BOITIER	GEARBOX	GETRIEBE
522	CM.0.311.1310.00	COPERCHIO	COUVERCLE AVANT DU BOITIER	FRONT GEARBOX COVER	LAGERDECKEL
524	CM.8.4.1.01669	CHIAVETTA	CLIQUET	KEY	KEIL
525	081230	VITE TCEI M12x30 P.G. 8.8 PARZ.FILL. UNI 5931	VIS	SCREW	SCHRAUBE
533	006308	CUSCINETTO 6308	ROULEMENT 6308	BEARING 6308	LAGER 6308
534	141090	ANELLO DI SICUREZZA FORO D.90 UNI 7437	BAGUE D'ARRET	CIRCLIP	SEEGERRING
536		TAPPO CON ESAGONO EST 3/8" GAS	#N/A	#N/A	#N/A
538	730800	MOLTIPLICATORE COMPLETO COMER T-311 AT-UT-ET-PT-(TT160/240)- US.D	BOITIER COMPLETE	COMPLETE GEARBOX	GETRIEBE
	730802	MOLTIPLICATORE COMPLETO COMER T-311 MOD HT	BOITIER COMPLETE	COMPLETE GEARBOX	GETRIEBE
	730803	MOLTIPLICATORE COMPLETO COMER T-311 MOD US.F	BOITIER COMPLETE	COMPLETE GEARBOX	GETRIEBE
539	C.M	ALBERO P.T.O. POST. MOD.HT			
540	850700	ASTUCCIO SEMASSE INTER.500mm AT140/AT160 - UT140/160-PT140/160 HT160	TROMPETTE GAUCHE	SIDE DRIVE SHAFT SUPPORT	ANTRIEBSWELLENGEHAUESE
	850701	ASTUCCIO SEMASSE INT.700mm AT180/AT200 -UT180-PT180-TT180-HT180 ET160	TROMPETTE GAUCHE	SIDE DRIVE SHAFT SUPPORT	ANTRIEBSWELLENGEHAUESE
	850702	ASTUCCIO SEMASSE INT.810mm UT200-PT200-TT200-HT200 - ET180-ET200 MT/MX 200 MT/MX 220	TROMPETTE GAUCHE	SIDE DRIVE SHAFT SUPPORT	ANTRIEBSWELLENGEHAUESE
	850703	ASTUCCIO SEMASSE INT.900mm UT220-PT220-HT220 - TT220-TT240-ET220 MT/MX 240	TROMPETTE GAUCHE	SIDE DRIVE SHAFT SUPPORT	ANTRIEBSWELLENGEHAUESE
	850704	ASTUCCIO SEMASSE INT.1060mm PT250-TT260	TROMPETTE GAUCHE	SIDE DRIVE SHAFT SUPPORT	ANTRIEBSWELLENGEHAUESE
541	850705	SEMASSE INTER.500mm AT140/AT160 - UT140/160-PT140/160 HT160	ARBRE SECONDAIRE	SIDE SHAFT	ANTRIEBSWELLE
	850706	SEMASSE INTER.700mm AT180/AT200 -UT180-PT180-TT180-HT180 ET160	ARBRE SECONDAIRE	SIDE SHAFT	ANTRIEBSWELLE
	850707	SEMASSE INTER.810mm UT200-PT200-TT200-HT200 - ET180-ET200 MT/MX 200 MT/MX 220	ARBRE SECONDAIRE	SIDE SHAFT	ANTRIEBSWELLE
	850708	SEMASSE INTER.900mm UT220-PT220-HT220 - TT220-TT240-ET220 MT/MX 240	ARBRE SECONDAIRE	SIDE SHAFT	ANTRIEBSWELLE
	850709	SEMASSE INTER.1060mm PT250-TT260	ARBRE SECONDAIRE	SIDE SHAFT	ANTRIEBSWELLE
542	142040	ANELLO DI SICUREZZA ALBERO D.40	BAGUE D'ARRET	CIRCLIP	SEEGERRING
543	850800	PROLUNGA COMPLETA INT.500mm AT140/AT160 - UT140/160-PT140/160 HT160	TROMPETTE+ARBRE	SIDE SHAFT ASSEMBLY	ANTRIEBSWELLE+GEHAUESE
	850801	PROLUNGA COMPLETA INT.700mm AT180/AT200 -UT180-PT180-TT.160/TT180-HT180 ET160	TROMPETTE+ARBRE	SIDE SHAFT ASSEMBLY	ANTRIEBSWELLE+GEHAUESE
	850802	PROLUNGA COMPLETA INT.810mm UT200-PT200-TT200-HT200 - ET180-ET200 MT/MX 200 MT/MX 220	TROMPETTE+ARBRE	SIDE SHAFT ASSEMBLY	ANTRIEBSWELLE+GEHAUESE
	850803	PROLUNGA COMPLETA INT.900mm UT220-PT220-TT220 -TT220-TT240-ET220 MT/MX 240	TROMPETTE+ARBRE	SIDE SHAFT ASSEMBLY	ANTRIEBSWELLE+GEHAUESE
	850804	PROLUNGA COMPLETA INT.1060mm PT250-TT260	TROMPETTE+ARBRE	SIDE SHAFT ASSEMBLY	ANTRIEBSWELLE+GEHAUESE
544	104090-01	ANELLO DI TENUTA 409012	JOINT D'ETANCHEITE	OIL SEAL	O-DICHRING

TRANSMISSION

COMER T313

Fitted on TT260-MT200/240-MX200/240



MOLTIPLICATORE COMPLETO
COMPLETE G/BOX N°731
BOITIER
GETRIEBE

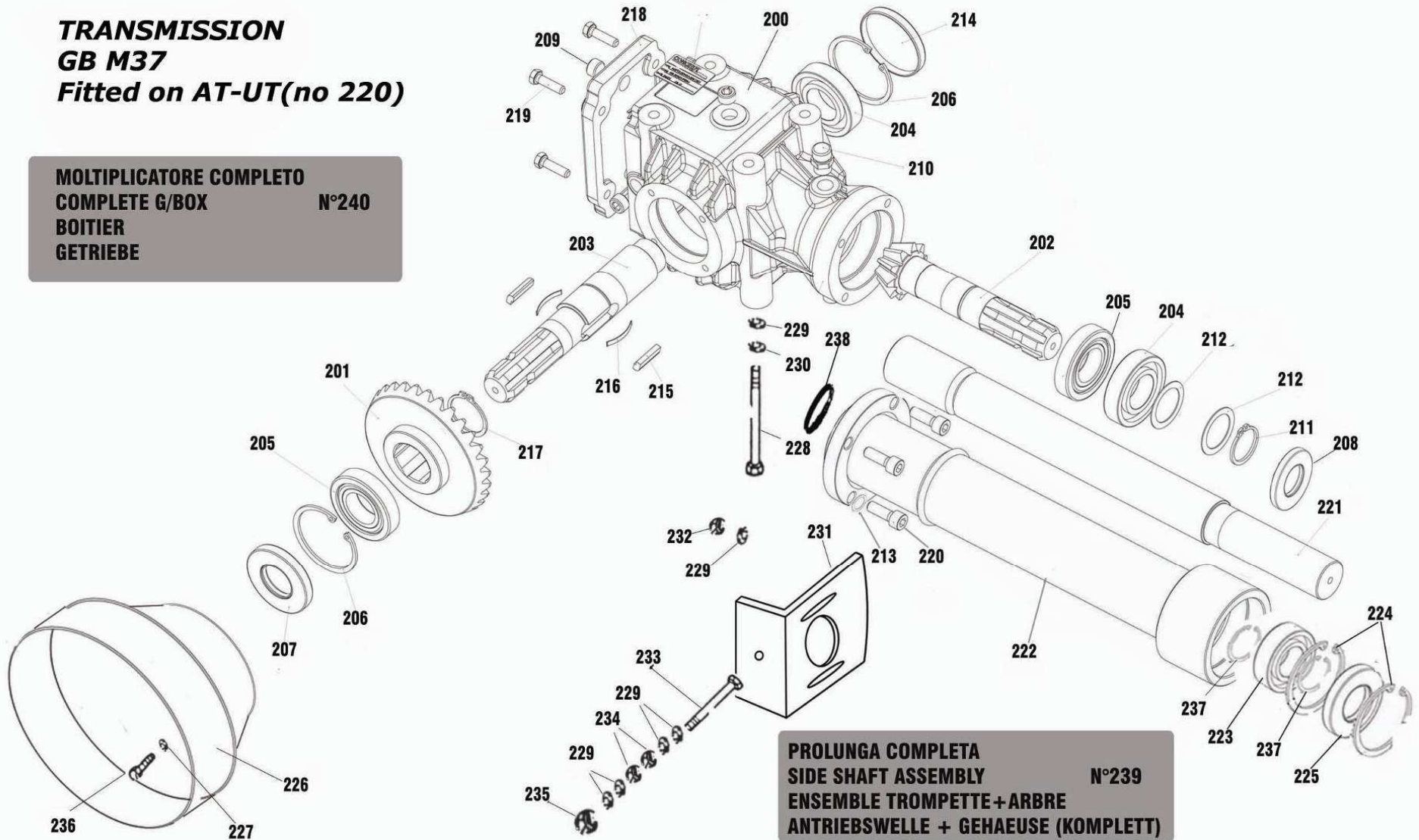
PROLUNGA COMPLETA
SIDE SHAFT ASSEMBLY N°543
ENSEMBLE TROMPETTE + ARBRE
ANTRIEBSWELLE + GEHAEUSE (KOMPLETT)

POS.	COD.	DESCRIZIONE	DESIGNATION	DESCRIPTION	BEZEICHNUNG
272	V50803Z	VITE TE M8x16 P.G. 8.8 TOT.FILL. UNI 5739 CON ZINCATURA	VIS	SCREW	SCHRAUBE
279	171081	CUFFIA De=240 H=160 PROT.ALBERO CARD AT-UT-PT	PROTECTION	GUARD	SCHUTZ
280	180824Z	ROSETTA LARGA 8,4x24x2 UNI 6593 CON ZINCATURA	RONDELLE	WASHER	SCHIEBE
533	006308	CUSCINETTO 6308	ROULEMENT 6308	BEARING 6308	LAGER 6308
534	141090	ANELLO DI SICUREZZA FORO D.90 UNI 7437	BAGUE D'ARRET	CIRCLIP	SEEGERRING
536		TAPPO CON ESAGONO EST 3/8" GAS	#N/A	#N/A	#N/A
540	850702	ASTUCCIO SEMIASSE INT.810mm UT200-PT200-TT200-HT200 - ET180-ET200 MT/MX 200 MT/MX 220	TROMPETTE GAUCHE	SIDE DRIVE SHAFT SUPPORT	ANTRIEBSWELLENGEHAUSE
	850703	ASTUCCIO SEMIASSE INT.900mm UT220-PT220-HT220 -TT220-TT240-ET220 MT/MX240	TROMPETTE GAUCHE	SIDE DRIVE SHAFT SUPPORT	ANTRIEBSWELLENGEHAUSE
	850704	ASTUCCIO SEMIASSE INT.1060mm PT250-TT260	TROMPETTE GAUCHE	SIDE DRIVE SHAFT SUPPORT	ANTRIEBSWELLENGEHAUSE
541	850707	SEMIASSE INTER.810mm UT200-PT200-TT200-HT200 - ET180-ET200 MT/MX 200 MT/MX 220	ARBRE SECONDAIRE	SIDE SHAFT	ANTRIEBSWELLE
	850708	SEMIASSE INTER.900mm UT220-PT220-HT220 -TT220-TT240-ET220 MT/MX240	ARBRE SECONDAIRE	SIDE SHAFT	ANTRIEBSWELLE
	850709	SEMIASSE INTER.1060mm PT250-TT260	ARBRE SECONDAIRE	SIDE SHAFT	ANTRIEBSWELLE
542	142040	ANELLO DI SICUREZZA ALBERO D.40	BAGUE D'ARRET	CIRCLIP	SEEGERRING
543	850802	PROLUNGA COMPLETA INT.810mm UT200-PT200-TT200-HT200 - ET180-ET200 MT/MX 200 MT/MX 220	TROMPETTE+ARBRE	SIDE SHAFT ASSEMBLY	ANTRIEBSWELLE+GEHAUSE
	850803	PROLUNGA COMPLETA INT.900mm UT220-PT220-HT220 -TT220-TT240-ET220 MT/MX240	TROMPETTE+ARBRE	SIDE SHAFT ASSEMBLY	ANTRIEBSWELLE+GEHAUSE
	850804	PROLUNGA COMPLETA INT.1060mm PT250-TT260	TROMPETTE+ARBRE	SIDE SHAFT ASSEMBLY	ANTRIEBSWELLE+GEHAUSE
544	104090-01	ANELLO DI TENUTA 409012	JOINT D'ETANCHEITE	OIL SEAL	O-DICHTRING
701	CM.8.7.1.00315	PARAPOLVERE 35X80X10	PARE-POUSSIERE	DUST LIP	STAUBDECKEL
702	CM.8.5.2.00030	ANELLO DI SIUREZZA 80X83,5X2,5	BAGUE D'ARRET	CIRCLIP	SEEGERRING
703	CM.8.1.1.00061	VITE M10X25	VIS M10X25	BOLT M10X25	SCHRAUBE
704	CM.0.267.7500.00	KIT SPESSORI 69X79,7	KIT ENTRETOISES	SPACER KIT	ABSTANDSSTUECK KIT
705	CM.8.0.9.00024	CUSCINETTO 30208	ROULEMENT	BEARING	LAGER
706	CM.0.312.6005.00	CORONA Z36	COURONNE	CROWN	TELLERAD
707	CM.0.267.7110.00	MOLLA	RESSORT	SPRING	FEDER
708	CM.8.7.0.00975	TAPPO OLIO 100X10	BOUCHON	PLUG	STIPPEN
709	CM.8.0.1.0087	CUSCINETTO 6208	ROULEMENT	BEARING	LAGER
710	CM.0.312.0302.00	SCATOLA	BOITIER	GEARBOX	GETRIEBE
711	CM.8.7.0.00790	TAPPO OLIO 80X10	BOUCHON	PLUG	STIPPEN
712	CM.0.244.7500.00	KIT SPESSORI 40,3X51,5	KIT ENTRETOISES	SPACER KIT	ABSTANDSSTUECK KIT
713	CM.8.6.6.00201	TAPPO GAS 3/8"	RENIFLARD	VENT	ENTLUFTER
714	CM.8.0.9.00102	CUSCINETTO 32208	ROULEMENT	BEARING	LAGER
715	CM.8.7.3.00027	ANELLO DI TENUTA 40X80X10	JOINT D'ETANCHEITE	OIL SEAL	O-DICHTRING
716	CM.0.313.5001.00	ALBERO CONDOTTO	ARBRE CONDUIT	PINION SHAFT	ANGETRIEBENE WELLE
717	CM.8.5.1.00029	ANELLO DI SICUREZZA 40X37,5X1,75	BAGUE D'ARRET	CIRCLIP	SEEGERRING
718	CM.0.312.1300.00	CARTER	CARTER	COVER	DECKEL
719	CM.0.312.3005.00	ALBERO CONDUTTORE	ARBRE CONDUCTEUR	DRIVE SHAFT	HAUPTWELLE
720	CM.8.6.7.00161	TAPPO GAS 3/8"	RENIFLARD	VENT	ENTLUFTER
721	CM.8.4.1.01689	CHIAVETTA 10X8X65	CLIQUET	KEY	KEIL
722	CM.8.1.2.00311	VITE M12X30	VIS	SCREW	SCHRAUBE
724	CM.0.113.7100.00	SPESSORE 40,3X51,5X2	ENTRETOISE	SPACER	ABSTANDSSTUECK
725	CM.0.313.7000.00	SPESSORE 48X35,3X1	ENTRETOISE	SPACER	ABSTANDSSTUECK
726	CM.8.0.9.00129	CUSCINETTO 30307	ROULEMENT	BEARING	LAGER
727	CM.8.5.1.00712	ANELLO DI SICUREZZA 42X39,5X1,75	BAGUE D'ARRET	CIRCLIP	SEEGERRING
728	CM.0.267.7109.00	CHIAVETTA PER RUOTA LIBERA	CLIQUET	KEY	KEIL

729	V51606	VITE TE M16x30 P.G. 8,8 TOT.FILL. UNI 5739	VIS 16x30	SCREW 16x30	SCHRAUBE 16x30
731	730801	MOLTIPLICATORE COMPLETO COMER T-313	#N/A	#N/A	#N/A
732	181428Z	ROSETTA PIANA 15x28x2,5 UNI 6592 CON ZINCATURA	RONDELLE	WASHER	SCHEIBE
733	091627	ROSETTA ELASTICA 16x27x3,5 UNI 1751	RONDELLE	WASHER	SCHEIBE

**TRANSMISSION
GB M37
Fitted on AT-UT(no 220)**

**MOLTIPLICATORE COMPLETO
COMPLETE G/BOX N°240
BOITIER
GETRIEBE**



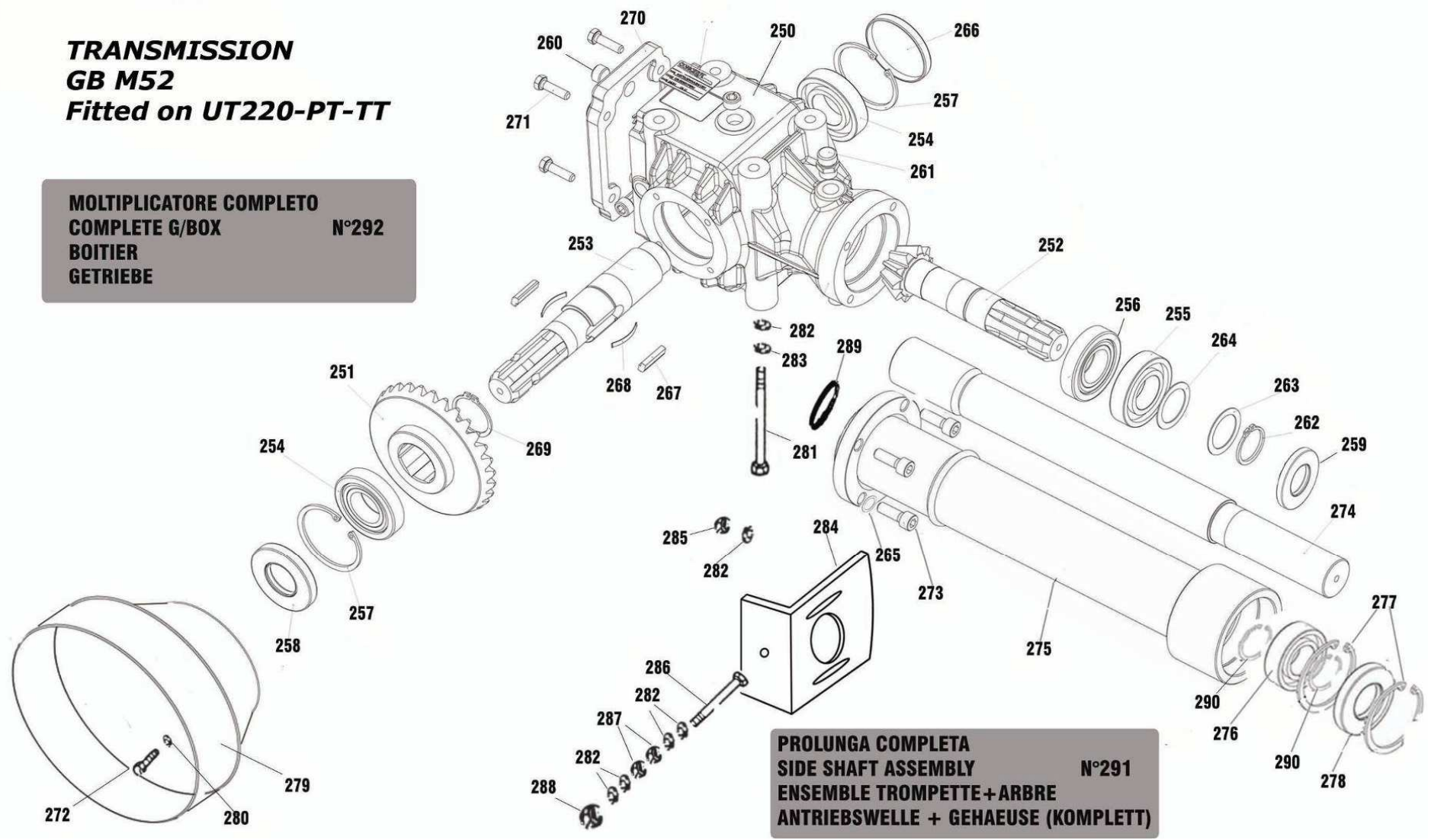
**PROLUNGA COMPLETA
SIDE SHAFT ASSEMBLY N°239
ENSEMBLE TROMPETTE+ARBRE
ANTRIEBSWELLE + GEHAEUSE (KOMPLETT)**

POS.	COD.	DESCRIZIONE	DESIGNATION	DESCRIPTION	BEZEICHNUNG
200	570100	SCATOLA AD INGRANAGGI MOD.M37	CARTER DU BOITIER	GEARBOX CASE	GETRIEBEGEHAEUSE
201	570401	CORONA Z=30 TRINCIA TIPO M37	COURONNE CONIQUE	BEVEL GEAR	TELLERAD
202	570402	PIGNONE CONICO Z=10 TRINCIA TIPO M37	PIGNON CONIQUE	BEVEL PINION	KEGELRAD
203	570310	ALBERO CONDUTTORE RIDUTT.TIPO M37	ARBRE CONDUCTEUR	DRIVE SHAFT	HAUPTWELLE
204	006207	CUSCINETTO 6207	ROULEMENT 6207	BEARING 6207	LAGER 6207
205	030207	CUSCINETTO 30207	ROULEMENT 30207	BEARING 30207	LAGER 30207
206	141072	ANELLO DI SICUREZZA FORO D.72 UNI 7437	BAGUE D'ARRET	CIRCLIP	SEEGERRING
207	103572	ANELLO DI TENUTA 357210	JOINT D'ETANCHEITE 357210	OIL SEAL 357210	O-DICHRING 357210
208	103580	ANELLO DI TENUTA 358010	JOINT D'ETANCHEITE 358010	OIL SEAL 358010	O-DICHRING 358010
209	570500	TAPPO OLIO 3/8" GAS DIN 906	BOUCHON	PLUG	STIPFEN
210	570501	TAPPO SFIATO OLIO 3/8" GAS	RENIFLARD	VENT	ENTLUFTER
211	142035	ANELLO DI SICUREZZA ALBERO D.35 UNI 7435	BAGUE D'ARRET	CIRCLIP	SEEGERRING
212	530311	SPESSORE Di=35 De=48 Sp=1	ENTRETOISE	SPACER	ABSTANDSSTUECK
213	091018Z	ROSETTA ELASTICA 10,5x17,5x2,2 UNI 1751 CON ZINCATURA	RONDELLE	WASHER	SCHEIBE
214	107200	TAPPO DI TENUTA 72x10	BOUCHON ET	PLUG ET	STOPFEN ET
215	570312	CHIAVETTA RIDUTTORE TRINCIA TIPO M52 /M37	CLIQUET POUR BOITIER M37/M52	KEY FOR M37/M52 GEARBOX	KEIL FUER M37/M52 GETRIEBE
216	570313	MOLLA CHIAVETTA RID.TRINCIA TIPO M52 /M37	GOUPILLE DE SURETE	SPRING FOR M37/M52 GEARBOX	VORSTECKER
217	142042	ANELLO DI SICUREZZA ALBERO D.42 UNI 7435	BAGUE D'ARRET	CIRCLIP	SEEGERRING
218	570203	COPERCHIO RID.TRINCIA TIPO M37	COUVERCLE DU BOITIER M37	GEARBOX COVER M37	GETRIEBEBECKEL M37
219	V50803Z	VITE TE M8x16 P.G. 8.8 TOT.FILL. UNI 5739 CON ZINCATURA	VIS	SCREW	SCHRAUBE
220	081030	VITE TCEI M10x30 P.G. 8.8 PARZ.FILL.UNI 5931	VIS	SCREW	SCHRAUBE
221	570735	SEMIASSE RID.M37 INTER.510mm AT140-AT160 UT140-UT160 PT140-PT160	ARBRE SECONDAIRE	SIDE DRIVE SHAFT	ANTRIEBSWELLE
	570737	SEMIASSE RID.M37 INTER.690mm AT180-AT200	ARBRE SECONDAIRE	SIDE DRIVE SHAFT	ANTRIEBSWELLE
222	570736	SUPPORTO SEMIASSE RID.M37 INT.510mm AT140-AT160 UT140-UT160 PT140-PT160	TROMPETTE GAUCHE	SIDE DRIVE SHAFT SUPPORT	ANTRIEBSWELLENGEHAEUSE
	570738	SUPPORTO SEMIASSE RID.M37 INT.690mm AT180-AT200	TROMPETTE GAUCHE	SIDE DRIVE SHAFT SUPPORT	ANTRIEBSWELLENGEHAEUSE
223	006208	CUSCINETTO 6208	ROULEMENT 6208	BEARING 6208	LAGER 6208
224	141080	ANELLO DI SICUREZZA FORO D.80 UNI 7437	BAGUE D'ARRET	CIRCLIP	SEEGERRING
225	104080	ANELLO DI TENUTA 408010	JOINT D'ETANCHEITE 408010	OIL SEAL 408010	O-DICHRING 408010
226	171081	CUFFIA De=240 H=160 PROT.ALBERO CARD AT-UT-PT	PROTECTION	GUARD	SCHUTZ
227	180824Z	ROSETTA LARGA 8,4x24x2 UNI 6593 CON ZINCATURA	RONDELLE	WASHER	SCHEIBE
228	V51204Z	VITE TE M12x20 P.G. 8.8 TOT.FILL. UNI 5739	VIS	SCREW	SCHRAUBE
229	181224Z	ROSETTA PIANA 13x24x2,5 UNI 6592 CON ZINCATURA	RONDELLE GALVANISEE	GALVANIZED WASHER	ZINK-SCHEIBE
230	091221Z	ROSETTA ELASTICA 12x21x2,5 UNI 1751 CON ZINCATURA	RONDELLE	WASHER	SCHEIBE
231	570206	PIASTRA DISTANZ.TRINCIA AT	ENTRETOISE	SPACER	ABSTANDSSTUECK

	590207	PIASTRA DISTANZ.TRINZIA UT140-160-180-200	ENTRETOISE PT.140/160	SPACER PLATE PT.140/160	ABSTANDSSTUECK PT.140/160
232	A41214Z	DADO AUTOBL.ALTO M12x1,25 CL.8 DIN 982 CON ZINCATURA	ECROU AUT. M12x1,25 GALVANISE	GALVANISED LOCKNUT M12x1,25	STOP-MUTTER
233	V41220Z	VITE TE M12x100x1,25 8.8 TOT.FILL. UNI 5740 CON ZINCATURA GIALLA	VIS 14x45x1.5	SCREW 14x45x1.5	SCHRAUBE 14x45x1.5
234	D41206Z	DADO BASSO M12x1,25 CL.8 UNI 5589 CON ZINCATURA	ECROU M12x1,25 GALVANISE	LOCKNUT 12x1.25	MUTTER, SELBST. 12x1.25
235	D41212Z	DADO ALTO M12x1,25 CL.8 UNI 5587 CON ZINCATURA	ECROU M12x1,25 GALVANISE	GALVANISED NUT 12x1,25	MUTTER, SELBST.
236	V50803Z	VITE TE M8x16 P.G. 8.8 TOT.FILL. UNI 5739 CON ZINCATURA	VIS	SCREW	SCHRAUBE
237	142040	ANELLO DI SICUREZZA ALBERO D.40	BAGUE D'ARRET	CIRCLIP	SEEGERRING
238	550610	ANELLO OR 4250	JOINT TORIQUE 4250	O RING 4250	O-RING 4250
239	570802	PROLUNGA COMPLETA RID.M37 INT.510mm AT140-AT160 UT140-UT160 PT140-PT160	TROMPETTE+ARBRE POUR M37	SIDE SHAFT ASSEMBLY FOR M37	ANTRIEBSWELLE+GEHAEUSE ZUM M37
	570803	PROLUNGA COMPLETA RID.M37 INT.690mm AT180-AT200	TROMPETTE+ARBRE POUR M37	SIDE SHAFT ASSEMBLY FOR M37	ANTRIEBSWELLE+GEHAEUSE ZUM M37
240	570800	MOLTIPLICATORE COMPLETO GB-M37	BOITIER M37 + ROUE LIBRE DE	GEARBOX M37 + CW OVERRUN CLUTCH	GEHAEUSE M37 + FREILAUF RX

**TRANSMISSION
GB M52
Fitted on UT220-PT-TT**

**MOLPLICATORE COMPLETO
COMPLETE G/BOX N°292
BOITIER
GETRIEBE**



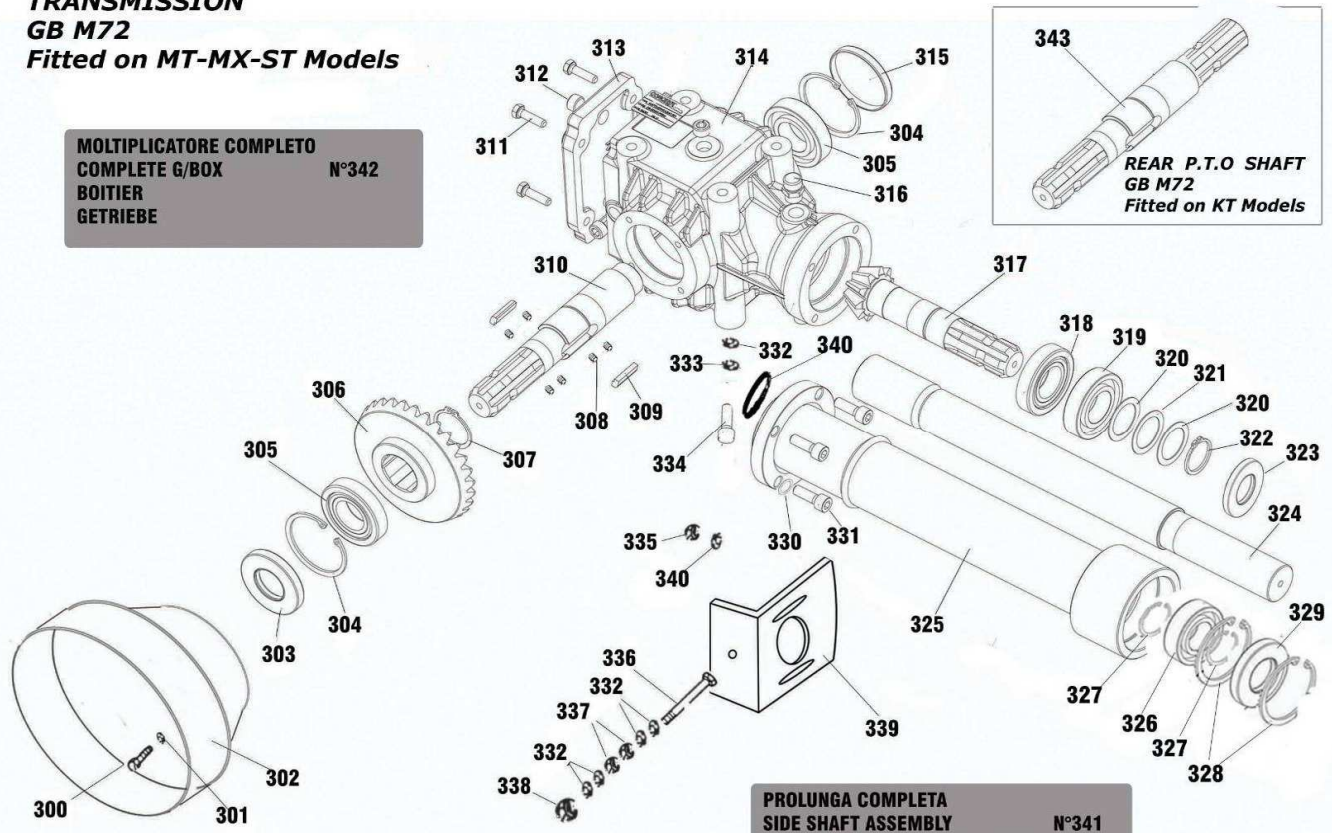
**PROLUNGA COMPLETA
SIDE SHAFT ASSEMBLY N°291
ENSEMBLE TROMPETTE+ARBRE
ANTRIEBSWELLE + GEHAEUSE (KOMPLETT)**

POS.	COD.	DESCRIZIONE	DESIGNATION	DESCRIPTION	BEZEICHNUNG
250	GB061LF000	SCATOLA AD INGRANAGGI MOD.M52	BOITIER M52	GEARBOX M52	GEHAEUSE M52
251	GB061310C3	CORONA Z=31 TRINCIA TIPO M52	COURONNE CONIQUE Z=31 POUR M52	BEVEL GEAR Z=31 FOR M52	TELLERAD Z=31 FUER M52
252	GB061310P2	PIGNONE CONICO Z=10 TRINCIA TIPO M52	PIGNON CONIQUE Z=10 POUR M52	BEVEL PINION Z=10 FOR M52	KEGELRAD Z=10 FUER M52
253	GB06100116	ALBERO CONDUTTORE RIDUTT.TIPO M52	ARBRE CONDUCTEUR POUR M52	DRIVE SHAFT FOR M52	ANTRIEBSWELLE FUER M52
254	030208	CUSCINETTO 30208	ROULEMENT 30208	BEARING 30208	LAGER 30208
255	006207	CUSCINETTO 6207	ROULEMENT 6207	BEARING 6207	LAGER 6207
256	030207	CUSCINETTO 30207	ROULEMENT 30207	BEARING 30207	LAGER 30207
257	141080	ANELLO DI SICUREZZA FORO D.80 UNI 7437	BAGUE D'ARRET	CIRCLIP	SEEGERRING
258	104080	ANELLO DI TENUTA 408010	JOINT D'ETANCHEITE 408010	OIL SEAL 408010	O-DICHTRING 408010
259	103580	ANELLO DI TENUTA 358010	JOINT D'ETANCHEITE 358010	OIL SEAL 358010	O-DICHTRING 358010
260	GB.TAP.BR	TAPPO OLIO 3/8" GAS DIN 906	BOUCHON	PLUG	STIPFEN
261	GB.TAP.SFIAT	TAPPO SFIATO OLIO 3/8" GAS	RENIFLARD	VENT	ENTLUFTER
262	142035	ANELLO DI SICUREZZA ALBERO D.35 UNI 7435	BAGUE D'ARRET	CIRCLIP	SEEGERRING
263	GB13.354505	SPESSORE Di=35 De=45 Sp=0.5	ENTRETOISE	SPACER	ABSTANDSSTUECK
264	GB13.35452	SPESSORE Di=35 De=45 Sp=2	ENTRETOISE	SPACER	ABSTANDSSTUECK
265	091018Z	ROSETTA ELASTICA 10,5x17,5x2,2 UNI 1751 CON ZINCATURA	RONDELLE	WASHER	SCHEIBE
266	108000	TAPPO DI TENUTA 80x10	BOUCHON	PLUG	STOPFEN
267	570312	CHIAVETTA RIDUTTORE TRINCIA TIPO M52 /M37	CLIQUET POUR BOITIER M37/M52	KEY FOR M37/M52 GEARBOX	KEIL FUER M37/M52 GETRIEBE
268	570313	MOLLA CHIAVETTA RID.TRINCIA TIPO M52 /M37	GOUPILLE DE SURETE	SPRING FOR M37/M52 GEARBOX	VORSTECKER
269	142048	ANELLO DI SICUREZZA ALBERO D.48 UNI 7435	BAGUE D'ARRET	CIRCLIP	SEEGERRING
270	GB06100412	COPERCHIO RID.TRINCIA TIPO M52	COUVERCLE AVANT DU BOITIER	FRONT GEARBOX COVER	LAGERDECKEL
271	V51004Z	VITE TE M10x20 P.G. 8.8 TOT.FILL. UNI 5739 CON ZINCATURA	VIS 10x20 GALVANISE	SCREW 10x20 GALVANIZED	ZINK-SCHRAUBE 10x20
272	V50803Z	VITE TE M8x16 P.G. 8.8 TOT.FILL. UNI 5739 CON ZINCATURA	VIS	SCREW	SCHRAUBE
273	081030	VITE TCEI M10x30 P.G. 8.8 PARZ.FILL.UNI 5931	VIS	SCREW	SCHRAUBE
274	750720	SEMIASSE RID.M52 INTER.700mm UT180-PT180-TT180	ARBRE SECONDAIRE	SIDE SHAFT UT.180-TT.160/180-PT.180	ANTRIEBSWELLE
	750721	SEMIASSE RID.M52 INTER.800mm UT200-PT200-TT200	ARBRE SECONDAIRE	SIDE SHAFT TT/PT/UT.200	ANTRIEBSWELLE
	750722	SEMIASSE RID.M52 INTER.900mm UT220-PT220-TT220-TT240	ARBRE SECONDAIRE	SIDE SHAFT TT/PT/UT.220-TT.240	ANTRIEBSWELLE
	750723	SEMIASSE RID.M52 INTER.1060mm PT250-TT260	ARBRE SECONDAIRE	SIDE SHAFT TT.260-PT.250	ANTRIEBSWELLE
275	750730	ASTUCCIO SEMIASSE RID.M52 INT.700mm UT180-PT180-TT180	TROMPETTE GAUCHE UT.180-TT.160/180-PT.180	SIDE DRIVE SHAFT SUPPORT UT.180-TT.160/180-PT.180	ANTRIEBSWELLENGEHAEUSE UT.180-TT.160/180-PT.180
	750731	ASTUCCIO SEMIASSE RID.M52 INT.800mm UT200-PT200-TT200	TROMPETTE GAUCHE TT/PT/UT.200	SIDE DRIVE SHAFT SUPPORT TT/PT/UT.200	ANTRIEBSWELLENGEHAEUSE TT/PT/UT.200
	750732	ASTUCCIO SEMIASSE RID.M52 INT.900mm UT220-PT220-TT220-TT240	TROMPETTE GAUCHE TT/PT/UT.220-TT.240	SIDE DRIVE SHAFT SUPPORT TT/PT/UT.220-TT.240	ANTRIEBSWELLENGEHAEUSE TT/PT/UT.220-TT.240
	750733	ASTUCCIO SEMIASSE RID.M52 INT.1060mm PT250-TT260	TROMPETTE GAUCHE TT.260-PT.250	SIDE DRIVE SHAFT SUPPORT TT.260-PT.250	ANTRIEBSWELLENGEHAEUSE TT.260-PT.250
276	006209	CUSCINETTO 6209	ROULEMENT 6209	BEARING 6209	LAGER 6209
277	141085	ANELLO DI SICUREZZA FORO D.85	BAGUE D'ARRET	CIRCLIP	SEEGERRING
278	104585	ANELLO DI TENUTA 458510	JOINT D'ETANCHEITE 458510	OIL SEAL 458510	O-DICHTRING 458510

279	171081	CUFFIA De=240 H=160 PROT.ALBERO CARD AT-UT-PT	PROTECTION	GUARD	SCHUTZ
280	180824Z	ROSETTA LARGA 8,4x24x2 UNI 6593 CON ZINCATURA	RONDELLE	WASHER	SCHEIBE
281	081635	VITE TCEI M16x35 P.G. 8.8 PARZ.FILL. UNI 5931	VIS	SCREW	SCHRAUBE
282	181428Z	ROSETTA PIANA 15x28x2,5 UNI 6592 CON ZINCATURA	RONDELLE	WASHER	SCHEIBE
283	091627	ROSETTA ELASTICA 16x27x3,5 UNI 1751	RONDELLE	WASHER	SCHEIBE
284	590205	PIASTRA DISTANZ.TRINCIA UT-PT	ENTRETOISE PT.180/250	SPACER PLATE PT 180/250	ABSTANDSSTUECK PT.180/250
	550278	PIASTRA DISTANZ.TRINCIA TT	ENTRETOISE	SPACER PLATE	ABSTANDSSTUECK
285	A41416Z	DADO AUTOBL.ALTO M14x1,5 CL.8 DIN 982 CON ZINCATURA	ECROU AUT. M14x1,5 GALVANISE	GALVANISED LOCKNUT M14x1,5	STOP-MUTTER
286	V41620Z	VITE TE M16x100x1,5 8.8 TOT.FILL. UNI 5740 CON ZINCATURA	VIS	SCREW	SCHRAUBE
287	D41608Z	DADO BASSO M16x1,5 CL.8 UNI 5589 CON ZINCATURA	ECROU M16x1,5 GALVANISE	LOCKNUT	MUTTER
288	D41616Z	DADO ALTO M16x1,5 CL.8 UNI 5587 CON ZINCATURA	ECROU M16x1,5 GALVANISE	GALVANISED NUT M16x1,5	MUTTER
289	550610	ANELLO OR 4250	JOINT TORIQUE 4250	O RING 4250	O-RING 4250
290	142045	ANELLO DI SICUREZZA ALBERO D.45	BAGUE D'ARRET	CIRCLIP	SEEGERRING
291	560802	PROLUNGA COMPLETA RID.M52 INT.700mm UT180-PT180-TT180	TROMPETTE+ARBRE POUR M52	SIDE SHAFT ASSEMBLY FOR M52	ANTRIEBSWELLE+GEHAEUSE ZUM M52
	560803	PROLUNGA COMPLETA RID.M52 INT.800mm UT200-PT200-TT200	TROMPETTE+ARBRE POUR M52	SIDE SHAFT ASSEMBLY FOR M52	ANTRIEBSWELLE+GEHAEUSE ZUM M52
	560804	PROLUNGA COMPLETA RID.M52 INT.900mm UT220-PT220-TT220-TT240	TROMPETTE+ARBRE POUR M52	SIDE SHAFT ASSEMBLY FOR M52	ANTRIEBSWELLE+GEHAEUSE ZUM M52
	560805	PROLUNGA COMPLETA RID.M52 INT.1060mm PT250-TT260	TROMPETTE+ARBRE POUR M52	SIDE SHAFT ASSEMBLY FOR M52	ANTRIEBSWELLE+GEHAEUSE ZUM M52
292	560800	MOLTIPLICATORE COMPLETO GB-M52	BOITIER M52 + ROUE LIBRE DE	GEARBOX M52 + CW OVERRUN CLUTCH	GEHAEUSE M52 + FREILAUF RX

TRANSMISSION
GB M72
Fitted on MT-MX-ST Models

MOLPLICATORE COMPLETO
COMPLETE G/BOX N°342
BOÏTIER
GETRIEBE



343
REAR P.T.O SHAFT
GB M72
Fitted on KT Models

PROLUNGA COMPLETA
SIDE SHAFT ASSEMBLY N°341
ENSEMBLE TROMPETTE+ARBRE
ANTRIEBSWELLE + GEHAEUSE (KOMPLETT)

POS.	COD.	DESCRIZIONE	DESIGNATION	DESCRIPTION	BEZEICHNUNG
300	V51005Z	VITE TE M10x25 P.G. 8.8 TOT.FILL. UNI 5739 CON ZINCATURA	VIS 10x25 GALVANISE	SCREW 10x25 GALVANIZED	ZINK-SCHRAUBE 10x25
301	180824Z	ROSETTA LARGA 8.4x24x2 UNI 6593 CON ZINCATURA	RONDELLE	WASHER	SCHEIBE
302	171081	CUFFIA De=240 H=160 PROT.ALBERO CARD.	PROTECTION	GUARD	SCHUTZ
303	104585	ANELLO DI TENUTA 458510	JOINT D'ETANCHEITE 458510	OIL SEAL 458510	O-DICHRING 458510
304	141085	ANELLO DI SICUREZZA FORO D.85 UNI 7437	BAGUE D'ARRET	CIRCLIP	SEEGERRING
305	030209	CUSCINETTO 30209	ROULEMENT 30209	BEARING 30209	LAGER 30209
306	GB075310C1	CORONA Z=31 TRINCIA TIPO M72	COURONNE CONIQUE POUR BOITIER MODELE M72	BEVEL GEAR GEARBOX M72	TELLERAD FUER GETRIEBE MODELL M72
307	142052	ANELLO DI SICUREZZA ALBERO D.52 UNI 7435	BAGUE D'ARRET	CIRCLIP	SEEGERRING
308	GB.19RV	MOLLA CHIAVETTA RID.TRINCIA TIPO M72	GOUPILLE DE SURETE	SPRING FOR M72 GEARBOX	VORSTECKER
309	GB2207500700	CHIAVETTA RIDUTTORE TRINCIA TIPO M72	CLIQUET POUR BOITIER MODELE M72	KEY FOR M72 GEARBOX	KEIL FUER GETRIEBE MODELL M72
310	GB07500105	ALBERO CONDUTTORE RIDUTT.TIPO M72	ARBRE CONDUCTEUR POUR M72	DRIVE SHAFT FOR M72	ANTRIEBSWELLE FUER M52
311	V50803Z	VITE TE M8x16 P.G. 8.8 TOT.FILL. UNI 5739 CON ZINCATURA	VIS	SCREW	SCHRAUBE
312	570500	TAPPO OLIO 3/8" GAS DIN 906	BOUCHON	PLUG	STIPFEN
313	GB0700401	COPERCHIO RID.TRINCIA TIPO M52	COUVERCLE DU BOITIER M52	GEARBOX COVER M52	GETRIEBEDECKEL M52
314	GB075LF000	SCATOLA AD INGRANAGGI MOD.M72	FUSION BOITIER M72 POUR BROYEUR MT/MX	GEARBOX HOUSING M72 FOR MT/MX	KOMPLETT WELLE M72 300
315	108500	TAPPO DI TENUTA 80x10	BOUCHON	PLUG	STOPFEN
316	570501	TAPPO SFIATO OLIO 3/8" GAS	RENIFLARD	VENT	ENTLUFTER
317	GB040753310P0	PIGNONE CONICO Z=10 TRINCIA TIPO M72	ARBRE DE SORTIE AVEC PIGNON BOITIER M72	OUTPUT SHAFT M72	KEGELRADWELLE FUER GETRIEBE M72
318	032208	CUSCINETTO 32208	ROULEMENT 32208	BEARING 32208	LAGER 32208
319	030208	CUSCINETTO30208	ROULEMENT 30208	BEARING 30208	LAGER 30208
320	GB13.40602	SPESSORE Di=40 De=60 Sp=2	ENTRETOISE	SPACER	ABSTANDSSTUECK
321	GB13.406005	SPESSORE Di=40 De=60 Sp=0.5	ENTRETOISE	SPACER	ABSTANDSSTUECK
322	144040	ANELLO DI SICUREZZA ALBERO D.40 UNI 7436	BAGUE D'ARRET	CIRCLIP	SEEGERRING
323	104080	ANELLO DI TENUTA 408010	JOINT D'ETANCHEITE 408010	OIL SEAL 408010	O-DICHRING 408010
324	790717	SEMIASSE TRINCIA MT-MX-KT.200	ARBRE SECONDAIRE MT-MX-KT.200	SIDE DRIVE SHAFT MT-MX-KT.200	ANTRIEBSWELLE MT-MX-KT.200
	790712	SEMIASSE TRINCIA MT-MX-KT.220	ARBRE SECONDAIRE MT-MX-KT.220	SIDE DRIVE SHAFT MT-MX-KT.201	ANTRIEBSWELLE MT-MX-KT.220
	790713	SEMIASSE TRINCIA MT-MX-KT.240	ARBRE SECONDAIRE MT-MX-KT.240	SIDE DRIVE SHAFT MT-MX-KT.202	ANTRIEBSWELLE MT-MX-KT.240
	790714	SEMIASSE TRINCIA MT-MX-KT.260	ARBRE SECONDAIRE MT-MX-KT.260	SIDE DRIVE SHAFT MT-MX-KT.203	ANTRIEBSWELLE MT-MX-KT.260
	790715	SEMIASSE TRINCIA MT-MX-KT.280	ARBRE SECONDAIRE MT-MX-KT.280	SIDE DRIVE SHAFT MT-MX-KT.204	ANTRIEBSWELLE MT-MX-KT.280
	790716	SEMIASSE TRINCIA MT-MX-KT.300	ARBRE SECONDAIRE MT-MX-KT.300	SIDE DRIVE SHAFT MT-MX-KT.205	ANTRIEBSWELLE MT-MX-KT.300
325	550750	ASTUCCIO SEMIASSE RID.M72 INTER.770mm MX-MT200	TROMPETTE GAUCHE M72 POUR MT-MX-KT.200	SIDE DRIVE SHAFT SUPPORT M72 POUR MT-MX-KT.200	ANTRIEBSWELLENGEHAUESE M72 FUER MT-MX-KT.200
	550751	ASTUCCIO SEMIASSE RID.M72 INTER.800mm MX-MT220	TROMPETTE GAUCHE M72 POUR MT-MX-KT.220	SIDE DRIVE SHAFT SUPPORT M72 POUR MT-MX-KT.220	ANTRIEBSWELLENGEHAUESE M72 FUER MT-MX-KT.220
	550752	ASTUCCIO SEMIASSE RID.M72 INT.900mm MX-MT240	TROMPETTE GAUCHE M72 POUR MT-MX-KT.240	SIDE DRIVE SHAFT SUPPORT M72 POUR MT-MX-KT.240	ANTRIEBSWELLENGEHAUESE M72 FUER MT-MX-KT.240
	550753	ASTUCCIO SEMIASSE RID.M72 INT.1060mm MX-MT260	TROMPETTE GAUCHE M72 POUR MT-MX-KT.260	SIDE DRIVE SHAFT SUPPORT M72 POUR MT-MX-KT.260	ANTRIEBSWELLENGEHAUESE M72 FUER MT-MX-KT.260
	550754	ASTUCCIO SEMIASSE RID.M72 INT.1190mm MX-MT280	TROMPETTE GAUCHE M72 POUR MT-MX-KT.280	SIDE DRIVE SHAFT SUPPORT M72 POUR MT-MX-KT.280	ANTRIEBSWELLENGEHAUESE M72 FUER MT-MX-KT.280
	550755	ASTUCCIO SEMIASSE RID.M72 INT.1300mm MX-MT300 MX-MT320	TROMPETTE GAUCHE M72 POUR MT-MX-KT.300	SIDE DRIVE SHAFT SUPPORT M72 POUR MT-MX-KT.300	ANTRIEBSWELLENGEHAUESE M72 FUER MT-MX-KT.300
326	006209	CUSCINETTO 6209	ROULEMENT 6209	BEARING 6209	LAGER 6209
327	142045	ANELLO DI SICUREZZA ALBERO D.45 UNI 7435	BAGUE D'ARRET	CIRCLIP	SEEGERRING
328	141085	ANELLO DI SICUREZZA FORO D.85 UNI 7437	BAGUE D'ARRET	CIRCLIP	SEEGERRING
329	104585	ANELLO DI TENUTA 458510	JOINT D'ETANCHEITE 458510	OIL SEAL 458510	O-DICHRING 458510
330	091018Z	ROSETTA ELASTICA 10,5x17,5x2,2 UNI 1751 CON ZINCATURA	RONDELLE	WASHER	SCHEIBE
331	081030	VITE TCEI M10x30 P.G. 8.8 PARZ.FILL.UNI 5931	VIS	SCREW	SCHRAUBE
332	181428Z	ROSETTA PIANA 15x28x2,5 UNI 6592 CON ZINCATURA	RONDELLE	WASHER	SCHEIBE
333	091627	ROSETTA ELASTICA 16x27x3,5 UNI 1751	RONDELLE	WASHER	SCHEIBE
334	V51606	VITE TE M16x30 P.G. 8.8 TOT.FILL. UNI 5739	VIS 16x30	SCREW 16x30	SCHRAUBE 16x30

335	A41416Z	DADO AUTOBL.ALTO M14x1,5 CL.8 DIN 982 CON ZINCATURA	ECROU AUT. M14x1,5 GALVANISE	GALVANISED LOCKNUT M14x1,5	STOP-MUTTER
336	V41620Z	VITE TE M16x100x1,5 8.8 TOT.FILL. UNI 5740 CON ZINCATURA	VIS	SCREW	SCHRAUBE
337	D41608Z	DADO BASSO M16x1,5 CL.8 UNI 5589 CON ZINCATURA	ECROU M16x1,5 GALVANISE	LOCKNUT	MUTTER
338	D41616Z	DADO ALTO M16x1,5 CL.8 UNI 5587 CON ZINCATURA	ECROU M16x1,5 GALVANISE	GALVANISED NUT M16x1,5	MUTTER
339	550278	PIASTRA DISTANZIALE	ENTRETOISE	SPACER PLATE	ABSTANDSSTUECK
340	550610	ANELLO OR 4250	JOINT TORIQUE 4250	O RING 4250	O-RING 4250
341	450806	PROLUNGA COMPLETA RID.M72 INTER.770mm MX-MT200	TROMPETTE+ARBRE POUR M72	SIDE SHAFT ASSEMBLY FOR M72	ANTRIEBSWELLE+GEHAEUSE ZUM M72
	450805	PROLUNGA COMPLETA RID.M72 INTER.800mm MX-MT220	TROMPETTE+ARBRE POUR M72	SIDE SHAFT ASSEMBLY FOR M72	ANTRIEBSWELLE+GEHAEUSE ZUM M72
	450802	PROLUNGA COMPLETA RID.M72 INT.900mm MX-MT240	TROMPETTE+ARBRE POUR M72	SIDE SHAFT ASSEMBLY FOR M72	ANTRIEBSWELLE+GEHAEUSE ZUM M72
	450801	PROLUNGA COMPLETA RID.M72 INT.1060mm MX-MT260	TROMPETTE+ARBRE POUR M72	SIDE SHAFT ASSEMBLY FOR M72	ANTRIEBSWELLE+GEHAEUSE ZUM M72
	450804	PROLUNGA COMPLETA RID.M72 INT.1190mm MX-MT280	TROMPETTE+ARBRE POUR M72	SIDE SHAFT ASSEMBLY FOR M72	ANTRIEBSWELLE+GEHAEUSE ZUM M72
	450803	PROLUNGA COMPLETA RID.M72 INT.1300mm MX-MT300 MX-MT320	TROMPETTE+ARBRE POUR M72	SIDE SHAFT ASSEMBLY FOR M72	ANTRIEBSWELLE+GEHAEUSE ZUM M72
342	450800	MOLTIPLICATORE COMPLETO GB-M72	BOITIER M72 + ROUE LIBRE DE	GEARBOX M72 + CW OVERRUN CLUTCH	GEHAEUSE M72 + FREILAUF RX
	450815	MOLTIPLICATORE COMPLETO GB-M72 MOD KT	BOITIER M72 + ROUE LIBRE DE MOD. KT	GEARBOX M72 + CW OVERRUN CLUTCH MOD.KT	GEHAEUSE M72 + FREILAUF RX MOD.KT
343	GB....	ALBERO P.T.O. POST. MOD.KT			